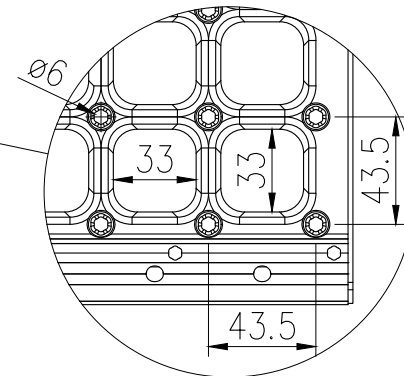


- c-c grid: 43,5 x 43,5 mm
- Upward grip holes: Oyster - serrated dia 6,5 mm
- Downward drainage holes: 34 x 34 mm



PCP

Product name
CUBE30 Plank Grating