



Tread Oyster

Stainless Steel AISI 304

CUBE® stair treads has a better strength-to-weight ratio than traditional mesh grating treads which means that strength is maintained while weight is reduced. CUBE® treads are manufactured with Oyster-surface between meshes for slip resistance. CUBE® stair treads are recommended in the Food & Beverage industry where hygiene and high air- and liquid flow are required.



Specifications

PTV guidelines	36+ Low Slip Potential
Dry PTV average	104
Wet PTV average	70
Slip resistance	R13 = slope >35° acc. to DIN 51130
Displacement space	V10 acc. to DIN 51130
Free area	50-56 %
Upward grip holes	Oyster - serrated dia 6,5
Downward drainage holes	34x34 mm
C-C grid	43,5 x 43,5 mm
Load capacity	1,5 kN / 100 x 100 mm acc. to EN ISO 14122

Suitable application areas

Straight staircases

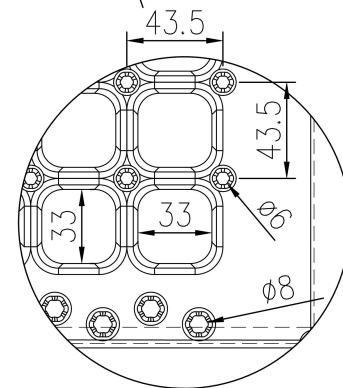
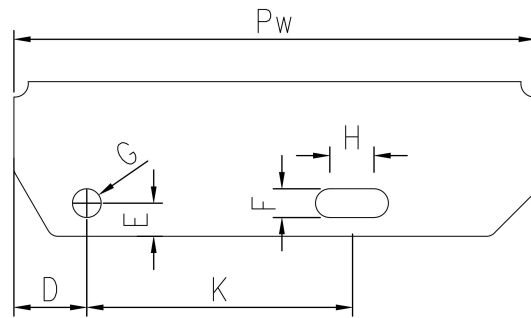
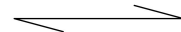
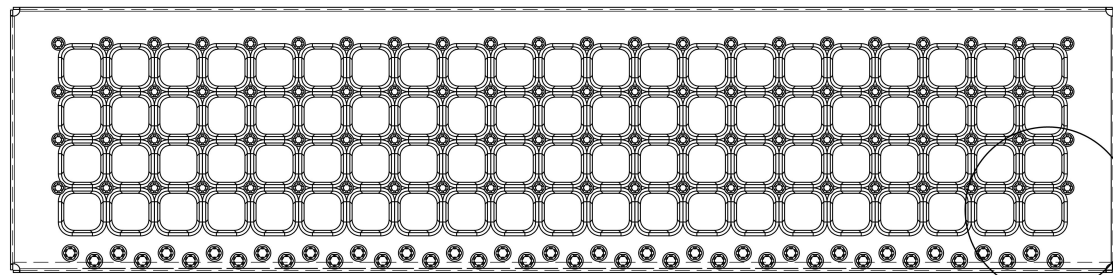
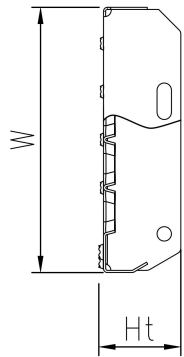
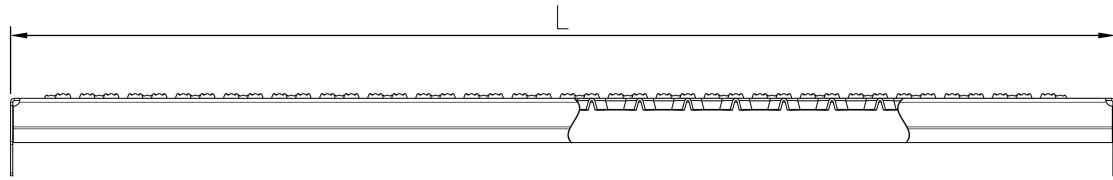
Related products

Plank grating Oyster

Plank Oyster

Other materials available

Steel 240 YP



PcP Product name
CUBE Tread Oyster