



# Tread Oyster

## Stainless Steel AISI 304

CUBE® stair treads has a better strength-to-weight ratio than traditional mesh grating treads which means that strength is maintained while weight is reduced. CUBE® treads are manufactured with Oyster-surface between meshes for slip resistance. CUBE® stair treads are recommended in the Food & Beverage industry where hygiene and high air- and liquid flow are required.



### Specifications

PTV guidelines	36+ Low Slip Potential acc. to BS 7976
Dry PTV average	104 multi-directional acc. to BS 7976
Wet PTV average	70 multi-directional acc. to BS 7976
Slip resistance	R13 = slope >35° acc. to DIN 51130
Free area	50-56 %
Upward grip holes	Oyster - serrated dia 6,5 mm
Downward drainage holes	34x34 mm
C-C grid	43,5 x 43,5 mm
Load capacity	1,5 kN / 100 x 100 mm acc. to EN ISO 14122

### Suitable application areas

Straight staircases



## Related products

Plank grating Oyster

## Standard dimensions

Length (mm)	Width (mm)	Height (mm)	Thickness (mm)	Finish	Availability	Item No.
800	270	47	2	Electro-polished	Stock item	F184114180
1000	240	42	2	Mill Finish	Stock item	F184124100
1000	240	42	2	Pickled	Stock item	F184124140
1000	240	42	2	Electro-polished	Stock item	F184124180
800	240	42	2	Pickled	Stock item	F184104140
800	270	47	2	Pickled	Stock item	F184114140
800	240	42	2	Mill Finish	Stock item	F184104100
800	240	42	2	Electro-polished	Stock item	F184104180
800	270	47	2	Mill Finish	Stock item	F184114100
1000	270	47	2	Mill Finish	Stock item	F184134100
1000	270	47	2	Pickled	Stock item	F184134140
1000	270	47	2	Electro-polished	Stock item	F184134180
800	305	42	2	Pickled	Stock item	F184164140
800	305	42	2	Electro-polished	Stock item	F184164180
900	240	42	2	Mill Finish	Stock item	F184194100
900	240	42	2	Pickled	Stock item	F184194140
900	240	42	2	Electro-polished	Stock item	F184194180
900	270	47	2	Mill Finish	Stock item	F184224100
900	270	47	2	Pickled	Stock item	F184224140
900	270	47	2	Electro-polished	Stock item	F184224180
900	305	42	2	Mill Finish	Stock item	F184254100
900	305	42	2	Pickled	Stock item	F184254140
900	305	42	2	Electro-polished	Stock item	F184254180
1000	305	42	2	Mill Finish	Stock item	F184284100
1000	305	42	2	Pickled	Stock item	F184284140
1000	305	42	2	Electro-polished	Stock item	F184284180
800	305	42	2	Mill Finish	Stock item	F184164100

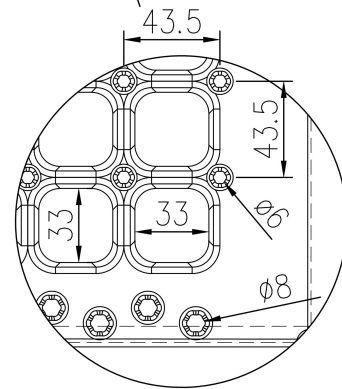
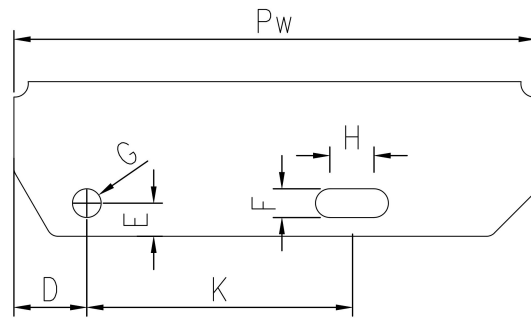
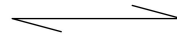
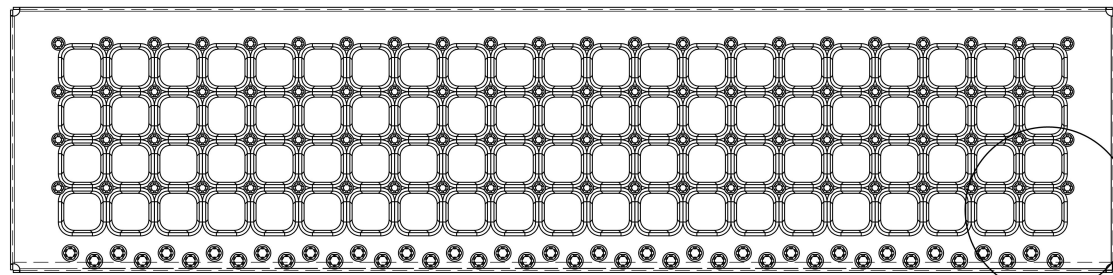
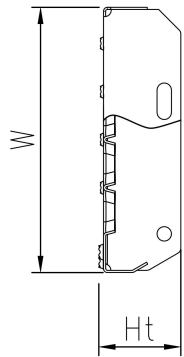
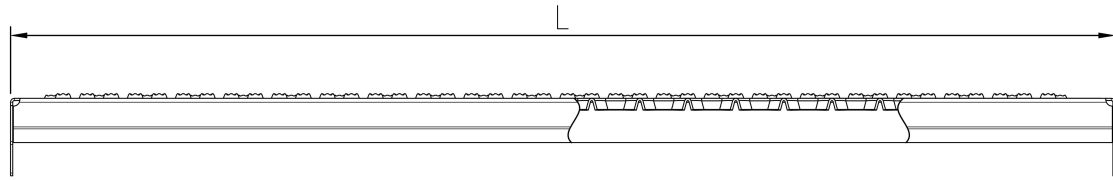
## End piece dimensions

Width (Pw) (mm)	Total height (Ht) (mm)	D (mm)	E (mm)	F (mm)	G (mm)	H (mm)	K (mm)
240	74	35	15	13	13	20	120
270	74	35	15	13	13	20	150
305	74	35	15	13	13	20	180

## Other materials available

Steel 240 YP





**PcP** Product name  
CUBE Tread Oyster