



# Plank 03

## Steel 240 YP

Optimo 03 Comprising of 14mm dia punched raised holes and 8.5mm dia depressed drainage holes. This punched profile provides excellent slip resistance, unsurpassed high strength to weight ratio and increased drainage owing to the larger holes giving a transparency of 28-32%.



### Specifications

PTV guidelines	36+ Low Slip Potential
Dry PTV average	73
Wet PTV average	51
Slip resistance	R13 = slope >35° acc. to DIN 51130
Displacement space	V10 acc. to DIN 51130
Free area	28-32 %
Upward grip holes	dia. 14
Downward drainage holes	dia. 8,5 mm
C-C grid	36 x 36 mm
Ball proof	15 mm in accordance with EN ISO 14122-2 20 mm in accordance with EN ISO 14122-2 35 mm in accordance with EN ISO 14122-2
	550 °C

### Suitable application areas

Access Walkways & Maintenance Platforms

Vehicular

## Related products

Plank grating O3

Tread O3

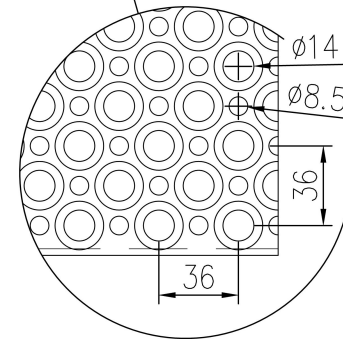
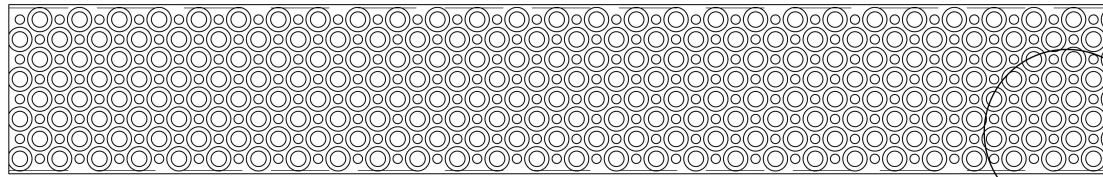
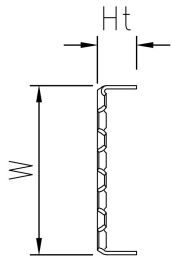
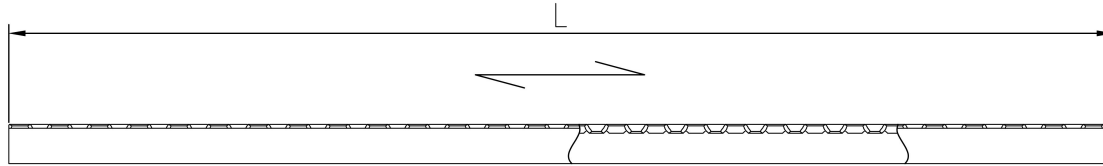
## Standard dimensions

Length (mm)	Width (mm)	Height (mm)	Mat. thickness (mm)	Weight per meter (kg)	Weight per m <sup>2</sup> (kg)	Finish	Availability	Item number
6000	63	35	3	2.42		Mill finish	On request	C020000100p
6000	81	35	3	2.76		Mill finish	Stock item	C020010100p
6000	99	35	3	3.1		Mill finish	Stock item	C020020100p
6000	117	35	3	3.43		Mill finish	Stock item	C020030100p
6000	135	35	3	3.77		Mill finish	Stock item	C020040100p
6000	153	35	3	4.11		Mill finish	Stock item	C020050100p
6000	171	35	3	4.44		Mill finish	Stock item	C020060100p
6000	189	35	3	4.78		Mill finish	Stock item	C020070100p
6000	207	35	3	5.12		Mill finish	Stock item	C020080100p
6000	225	35	3	5.45		Mill finish	Stock item	C020090100p
6000	243	35	3	5.79		Mill finish	Stock item	C020100100p
6000	261	35	3	6.13		Mill finish	Stock item	C020110100p
6000	333	35	3	7.47		Mill finish	Stock item	C020120100p

## Other materials available

Aluminium 6060-T61

Aluminium 3005-16 H66



**PcP** Product name  
OPTIMO Plank O3