



Spiral tread K

Steel 240 YP

PcP. Spiral treads type K, 20° and 24° are our standard spiral treads. The treads are universal treads which means that they may be applied in both right-hand and left-hand rotation spiral stairways. The pattern is made with 14 mm dia. punched holes and 9 mm dia. drainage holes, harmonically distributed over the angle surface. The first row of holes is 300 mm from the spiral centre. The spiral treads are supplied self colour and without steel edge in external and internal curved edges so that they are easy to further process and adjust into the design of the individual stairway.



Specifications

Slip resistance	R10 = 19° > slope > 10° acc. to DIN 51130
Displacement space	V10 acc. to DIN 51130
Free area	9 %
Upward grip holes	dia. 14
Downward drainage holes	dia. 9 mm
C-C grid	50 x 50 mm
	550 °C

Suitable application areas

Spiral staircases

Featured cases

Steel stairways and platforms - Backstage ² Upkot student flats - Ghent, Belgium

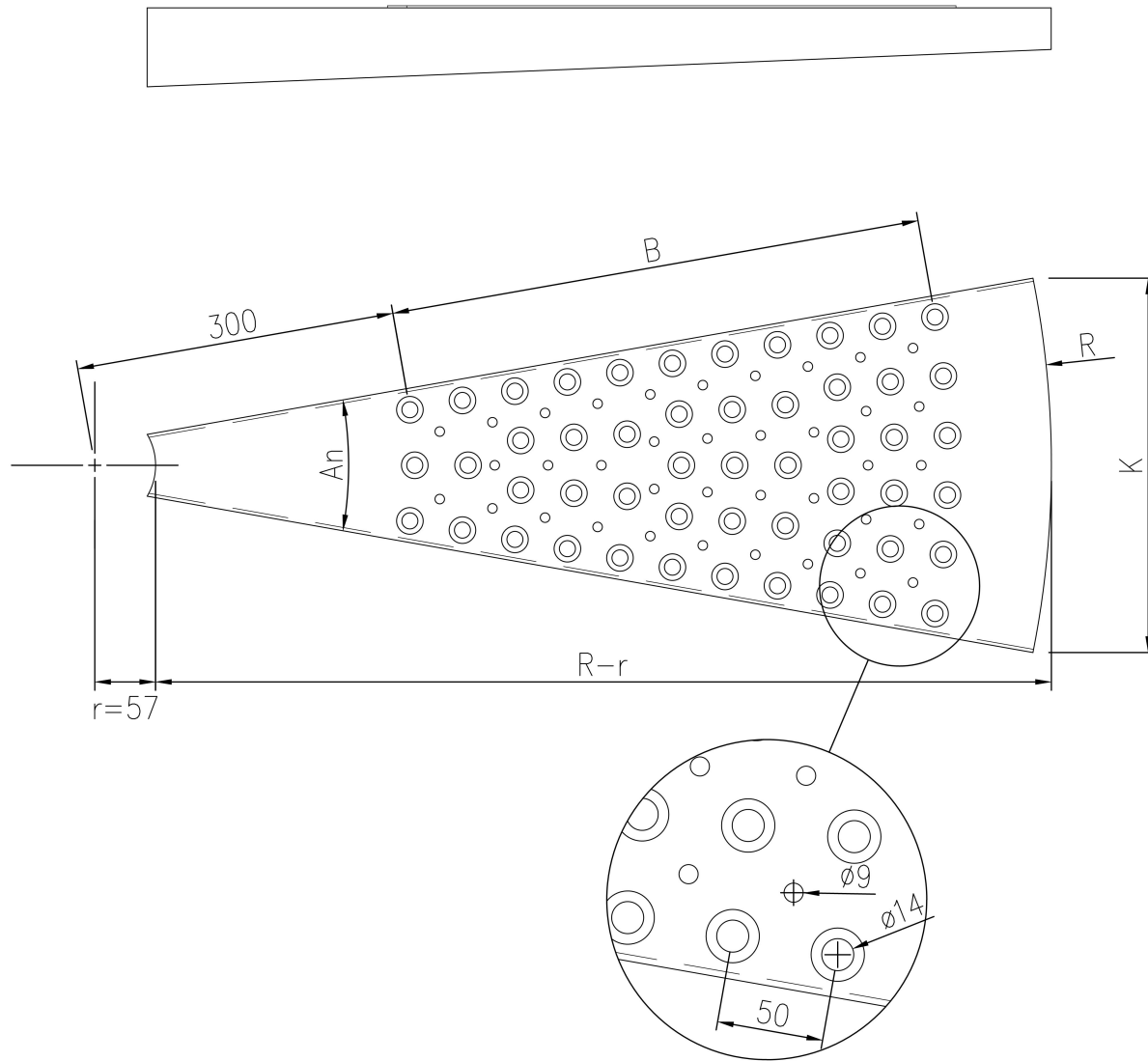
Related products

Plank K

Plank grating K

Standard dimensions

Radius (mm)	Angle (°)	Pattern width (mm)	Chord (mm)	Mat. thickness (mm)	Finish	Weight (kg)	Availability	Item number
800	20	400	319	3	Mill finish	4.90	Stock item	F170000100
900	20	500	352	3	Mill finish	5.90	Stock item	F170010100
1000	20	600	387	3	Mill finish	7.00	Stock item	F170020100
1100	20	700	420	3	Mill finish	8.10	Stock item	F170030100
800	24	400	372	3	Mill finish	5.40	Stock item	F170040100
900	24	500	414	3	Mill finish	6.60	Stock item	F170050100
1000	24	600	456	3	Mill finish	7.70	Stock item	F170060100
1100	24	700	497	3	Mill finish	9.00	Stock item	F170070100



Product name
 OPTIMO Spiral tread K