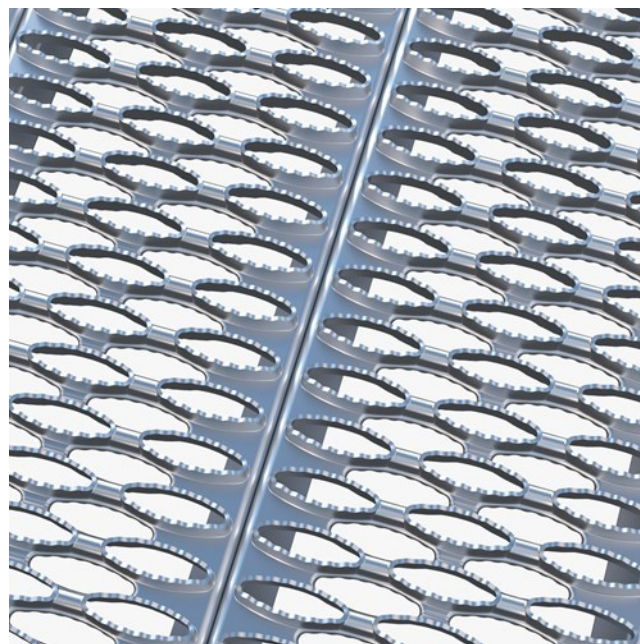




Plank grating US

Aluminium

Type US is very common within the oil, marine, HGV and agricultural industries, owing to its high slip resistance. Comprising of large elliptical shaped serrated holes. Providing an extreme anti-slip surface with maximum drainage offering high loading capabilities and maximum strength to weight ratio. This punched profile has a high transparency of 35-45%. Manufactured in 2 heights with various combinations in relation to: - width and length. Can be used individually or mechanically fixed together for increased loadings.



Specifications

Displacement space	V10 acc. to DIN 51130
Slip resistance	R12 = 35° > slope > 27° acc. to DIN 51130
Free area	42 - 55 %
Upward grip holes	Serrated ellipse 48 x 14
Downward drainage holes	ellipse 48 x 14 mm
C-C grid	60 x 26 mm
Ball proof	15 mm in accordance with EN ISO 14122-2 20 mm in accordance with EN ISO 14122-2 35 mm in accordance with EN ISO 14122-2

Suitable application areas

Access Walkways & Maintenance Platforms

Balconies

Featured cases

Aluminium work platforms for industrial tipper trailers

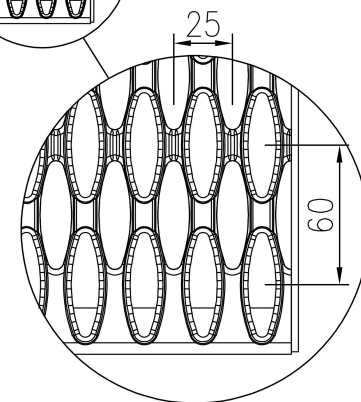
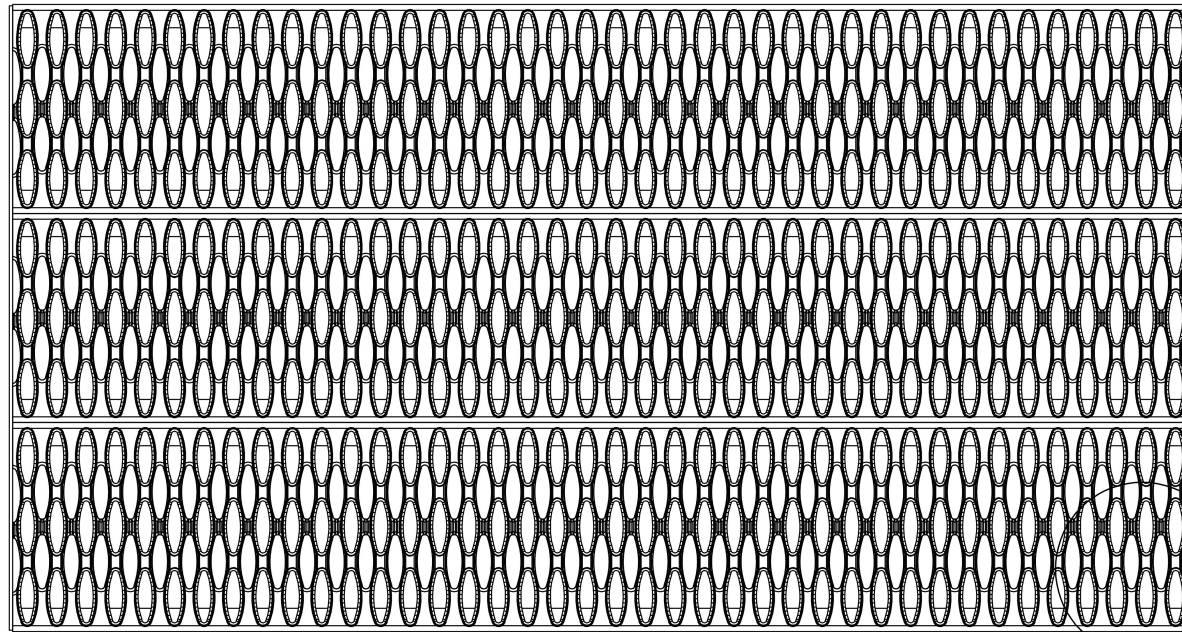
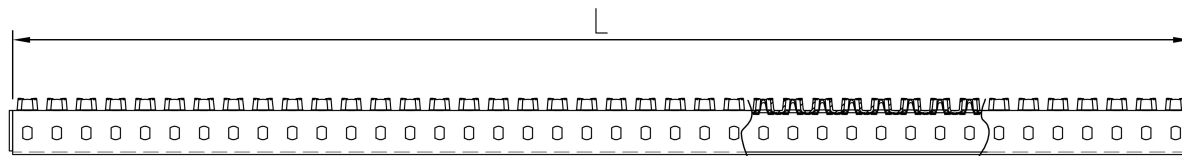
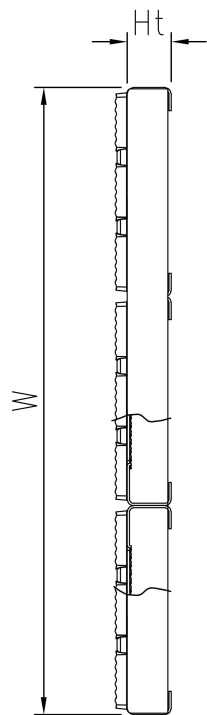
Related products

Plank US

Other materials available

Steel

Stainless steel



PCP Product name
OPTIMO Plank Grating US