



# Tread G

Steel 240 YP



## Specifications

Displacement space	V10 acc. to DIN 51130
Heel proof	
Closed surface	
Free area	~0 %
C-C grid	50 x 50 mm
	550 °C

## Suitable application areas

Straight staircases  
 Inside stairs and landings

## Related products

---

Plank G

---

Rubber plugs

---

Plank grating G

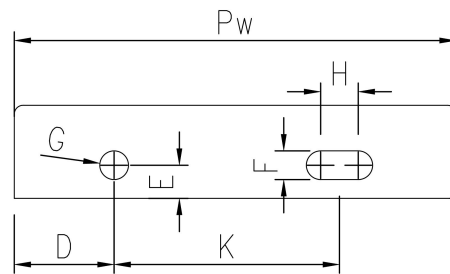
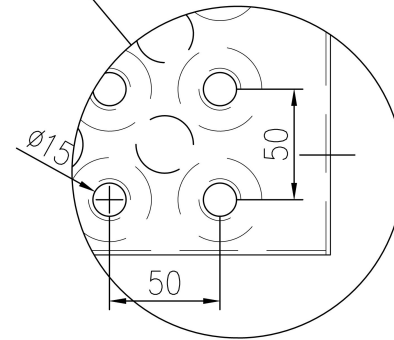
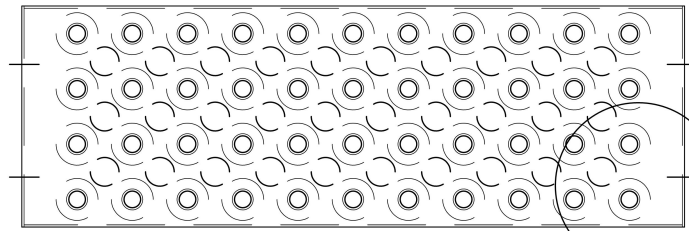
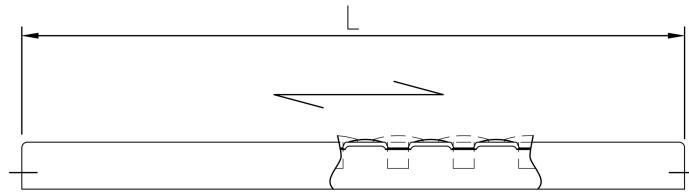
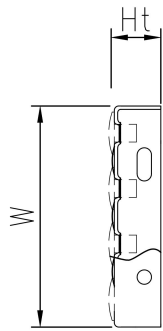
---

## Standard dimensions

Length (mm)	Width (mm)	Height (mm)	Mat. thickness (mm)	Finish	Availability	Item number
800	200	46	3	Mill finish	On request	F160030100
900	200	46	3	Mill finish	On request	F160040100
1000	200	46	3	Mill finish	On request	F160050100
800	250	44	3	Mill finish	Stock item	F160070100
1000	250	44	3	Mill finish	Stock item	F160090100

## End piece dimensions

Width (Pw) (mm)	Total height (Ht) (mm)	D (mm)	E (mm)	F (mm)	G (mm)	H (mm)	K (mm)
150		35	15	13	13	17	78
200		45	15	13	13	17	102
250		50	15	13	13	17	142



**PcP** Product name  
OPTIMO Tread G