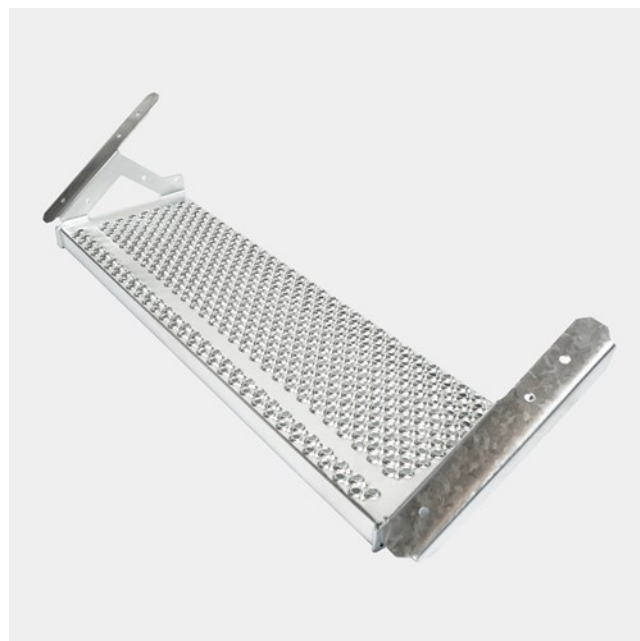




# Tread BUILD VISUAL 02

Steel 240 YP



## Specifications

PTV guidelines	36+ Low Slip Potential
Dry PTV average	66
Wet PTV average	50
Slip resistance	R13 = slope >35° acc. to DIN 51130
Displacement space	V10 acc. to DIN 51130
Miscellaneous	Stair slope 37,5 degree
Free area	20-25 %
Upward grip holes	dia. 9
Downward drainage holes	dia. 5 mm
C-C grid	25 x 25 mm
	550 °C

## Suitable application areas

Straight staircases

## Related products

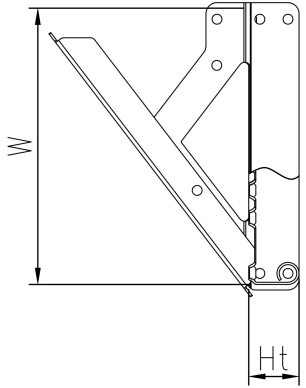
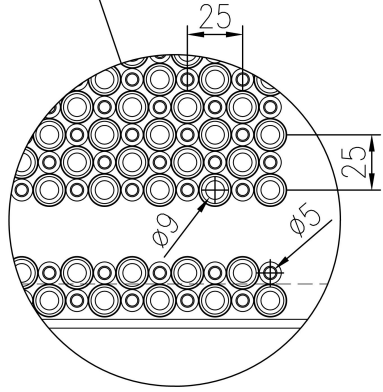
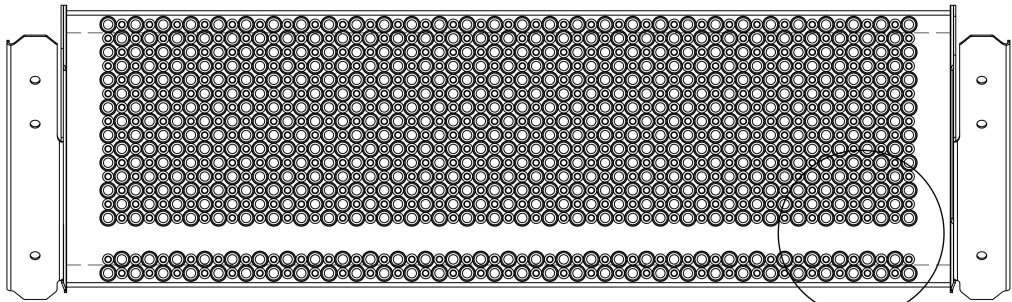
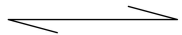
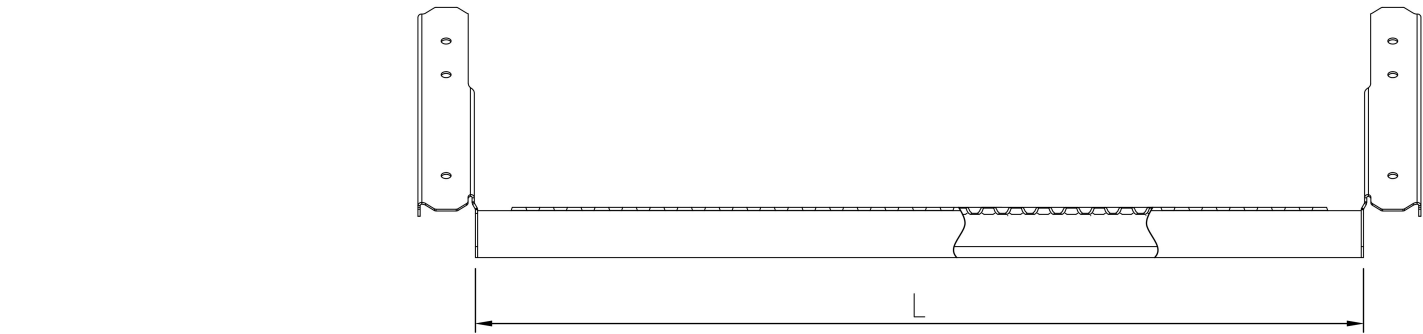
---

Plank grating 02

---

### Standard dimensions

Length (mm)	Width (mm)	Height (mm)	Mat. thickness (mm)	Finish	Weight (kg)	Availability	Item number
900	250	42	2	Hot-dip galvanised	6.90	Stock item	F130110101
1000	250	45	2	Hot-dip galvanised	7.60	Stock item	F130120101
800	250	45	2	Hot-dip galvanised	6.30	Stock item	F130100101



Product name  
OPTIMO Tread BUILD VISUAL O2