



Tread Oyster

Steel 240 YP

CUBE® stair treads has a better strength-to-weight ratio than traditional mesh grating treads which means that strength is maintained while weight is reduced. CUBE® treads are manufactured with Oyster-surface between meshes for slip resistance. CUBE® stair treads are recommended in most constructions and industries especially where high air- and liquid flow are required.



Specifications

PTV guidelines	36+ Low Slip Potential
Dry PTV average	104
Wet PTV average	70
Slip resistance	R13 = slope >35° acc. to DIN 51130
Displacement space	V10 acc. to DIN 51130
Free area	50-56 %
Upward grip holes	Oyster - serrated dia 6,5
Downward drainage holes	34x34 mm
C-C grid	43,5 x 43,5 mm
Load capacity	1,5 kN / 100 x 100 mm acc. to EN ISO 14122
	550 °C

Suitable application areas

Straight staircases

Featured cases

Maintenance platforms and stairs - Air BP Jet Fuel Station - Dals-Långed, Sweden

Related products

Plank Oyster

Plank grating Oyster

Tread plank Oyster

Standard dimensions

Length (mm)	Width (mm)	Height (mm)	Mat. thickness (mm)	Finish	Weight (kg)	Availability	Item number
800	240	42	2	Mill finish		Stock item	F180000100
800	240	42	2	Hot-dip galvanised	4.48	Stock item	F180000101
1000	240	42	2	Mill finish		Stock item	F180020100
1000	240	42	2	Hot-dip galvanised	5.50	Stock item	F180020101
1100	240	52	2	Mill finish		On request	F180030100
1100	240	52	2	Hot-dip galvanised	6.43	On request	F180030101
1200	240	52	2	Mill finish		On request	F180040100
1200	240	52	2	Hot-dip galvanised	6.98	On request	F180040101
600	240	42	2	Mill finish		On request	F180050100
600	240	42	2	Hot-dip galvanised	3.18	On request	F180050101
600	270	42	2	Mill finish		On request	F180080100
600	270	42	2	Hot-dip galvanised		On request	F180080101
800	270	47	2	Mill finish		Stock item	F180100100
800	270	47	2	Hot-dip galvanised	4.81	Stock item	F180100101
900	270	47	2	Mill finish		Stock item	F180110100
900	270	47	2	Hot-dip galvanised	5.35	Stock item	F180110101
1000	270	47	2	Mill finish		Stock item	F180120100
1000	270	47	2	Hot-dip galvanised	5.89	Stock item	F180120101
1100	270	52	2	Mill finish		On request	F180130100
1100	270	52	2	Hot-dip galvanised	6.85	On request	F180130101
1200	270	52	2	Mill finish		On request	F180140100
1200	270	52	2	Hot-dip galvanised	7.42	On request	F180140101
600	305	42	2	Mill finish		On request	F180180100
600	305	42	2	Hot-dip galvanised		On request	F180180101
800	305	42	2	Mill finish		Stock item	F180200100
800	305	42	2	Hot-dip galvanised	5.21	Stock item	F180200101
900	305	42	2	Mill finish		Stock item	F180210100
900	305	42	2	Hot-dip galvanised	5.79	Stock item	F180210101
1000	305	42	2	Mill finish		Stock item	F180220100
1000	305	42	2	Hot-dip galvanised	6.37	Stock item	F180220101
1100	305	57	2	Mill finish		On request	F180230100
1100	305	57	2	Hot-dip galvanised	7.49	On request	F180230101
1200	305	57	2	Mill finish		On request	F180240100
1200	305	57	2	Hot-dip galvanised	7.98	On request	F180240101

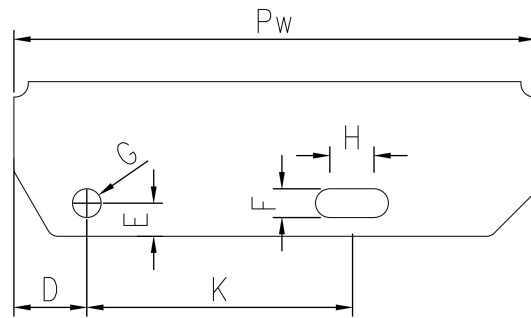
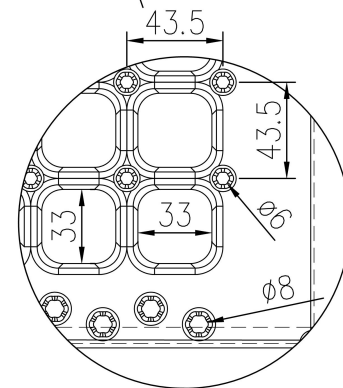
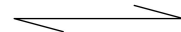
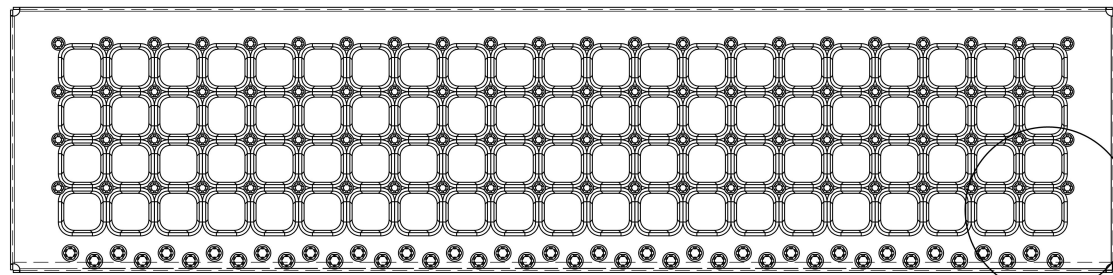
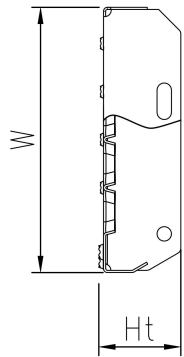
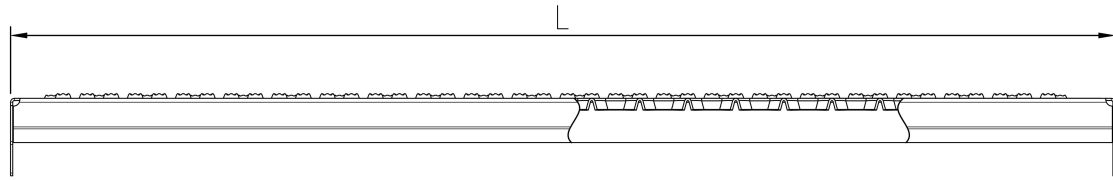
End piece dimensions

Width (Pw) (mm)	Total height (Ht) (mm)	D (mm)	E (mm)	F (mm)	G (mm)	H (mm)	K (mm)
-----------------	------------------------	--------	--------	--------	--------	--------	--------

240	74	35	15	13	13	20	120
270	74	35	15	13	13	20	150
305	74	35	15	13	13	20	180

Other materials available

Stainless steel AISI 304



PcP Product name
CUBE Tread Oyster