



# Plank Oyster

## Stainless steel AISI 304

Easy installation, cleaning & maintenance. The CUBE® Oyster manufactured in stainless steel is suitable for applications in the food and beverage industry where the unique shape of the CUBE® allows for easier cleaning and maintenance, supporting and promoting hygiene.



### Specifications

PTV guidelines	36+ Low Slip Potential
Dry PTV average	104
Wet PTV average	70
Slip resistance	R13 = slope >35° acc. to DIN 51130
Displacement space	V10 acc. to DIN 51130
Free area	50-56 %
Upward grip holes	Oyster - serrated dia 6,5
Downward drainage holes	34x34 mm
C-C grid	43,5 x 43,5 mm
Ball proof	35 mm in accordance with EN ISO 14122-2

### Suitable application areas

Landings

Straight staircases

## Related products

---

Plank grating Oyster

---

Tread Oyster

---

## Standard dimensions

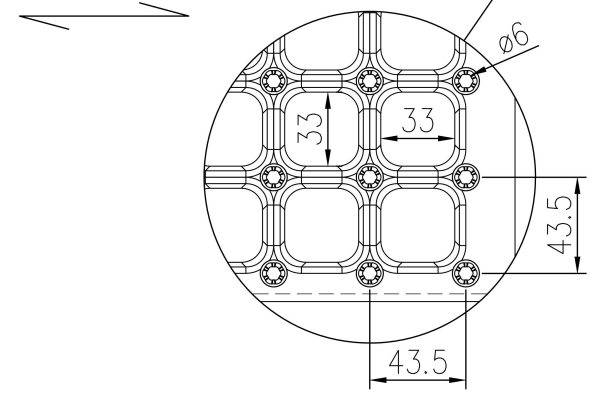
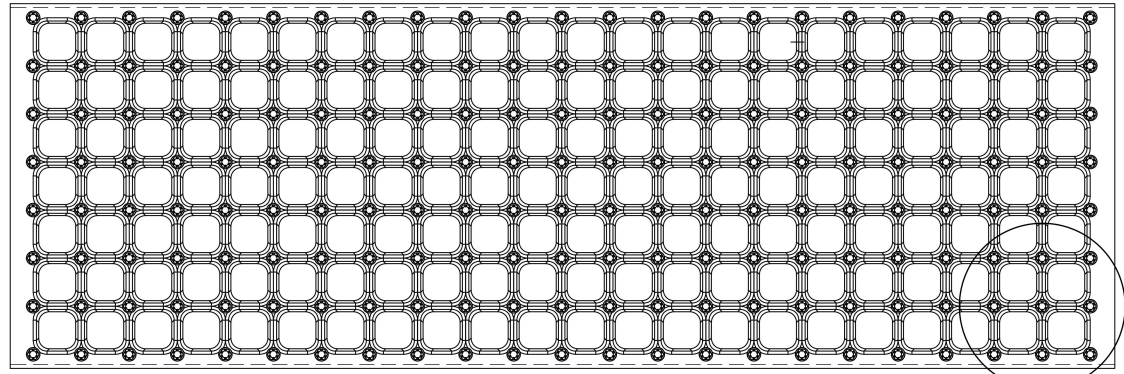
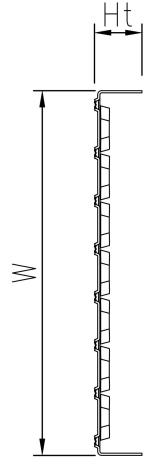
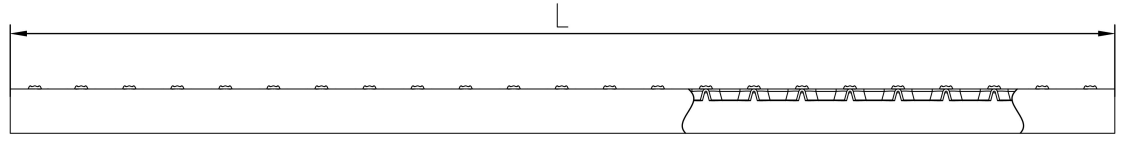
Length (mm)	Width (mm)	Height (mm)	Mat. thickness (mm)	Weight per meter (kg)	Weight per m <sup>2</sup> (kg)	Max. span (mm)	Finish	Availability	Item number
4000	200	42	2	3.5	19.3	1400	Mill finish	On request	C053004100
4000	333	42	2	5	17.1	1200	Mill finish	On request	C053124100

## Other materials available

---

Steel 240 YP

---



**PcP** Product name  
CUBE Plank Oyster