



End plate

Steel 240 YP

Make your own stair treads with end plates and tread panels from PCP. The panels are shortened to the desired length and end plates are welded on. It's quite simple.



Specifications

550 °C

Suitable application areas

Straight staircases

Featured cases

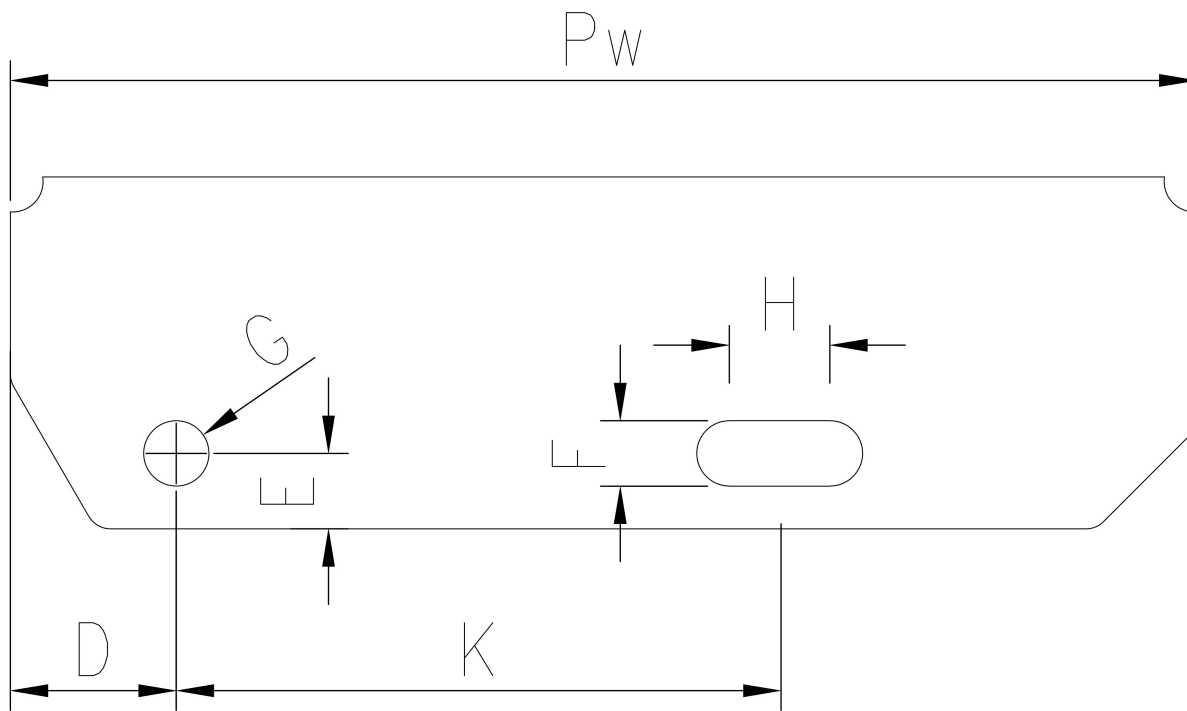
Maintenance platforms and stairs - Air BP Jet Fuel Station - Dals-Långed, Sweden

Related products

Tread plank Oyster

Standard dimensions

Width (mm)	Height (mm)	D (mm)	E (mm)	F (mm)	G (mm)	H (mm)	K (mm)	Finish	Availability	Item number
305	70	35	15	13	13	20	180	Mill finish	Stock item	C201520100
240	70	35	15	13	13	20	120	Mill finish	Stock item	C201530100
270	70	35	15	13	13	20	150	Mill finish	Stock item	C201600100



PcP Product name
CUBE End Plate