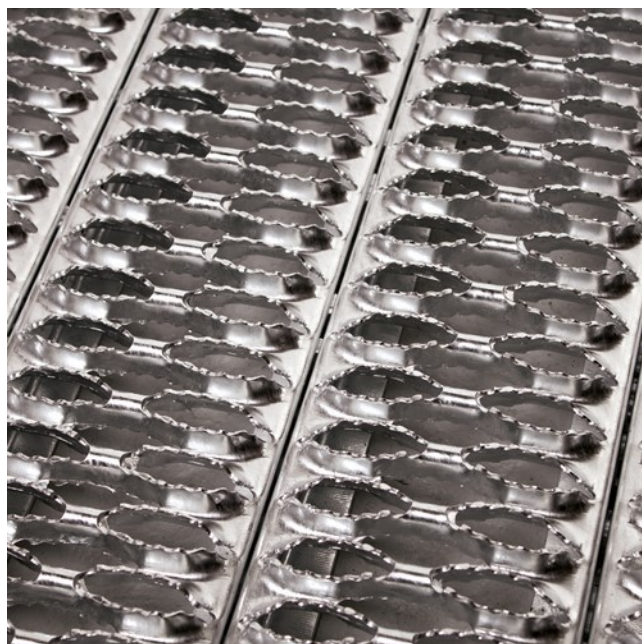




Plank grating US

Steel

Safety gratings Type US is characterized på long serrated holes that gives panels top flange high load capacity. And rolled side flanges strengthens the gratings further. Type US is applied where extreme slip resistance and drainage are required - often in maritime environments, industries with oil and water, construction sites among others.



Specifications

Displacement space	V10 acc. to DIN 51130
Slip resistance	R12 = 35° > slope > 27° acc. to DIN 51130
Free area	42 - 55 %
Upward grip holes	Serrated ellipse 48 x 14
Downward drainage holes	ellipse 48 x 14 mm
C-C grid	60 x 26 mm
Ball proof	15 mm in accordance with EN ISO 14122-2 20 mm in accordance with EN ISO 14122-2 35 mm in accordance with EN ISO 14122-2
Fire resistance Critical temperature	550 °C

Suitable application areas

Offshore HGV walkways and steps

Access Walkways & Maintenance Platforms

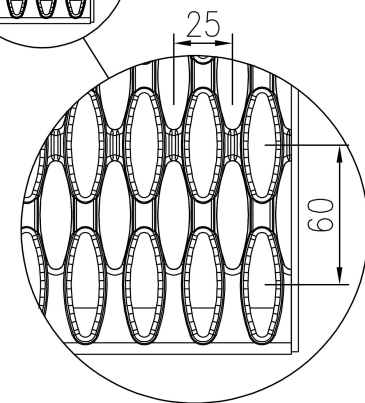
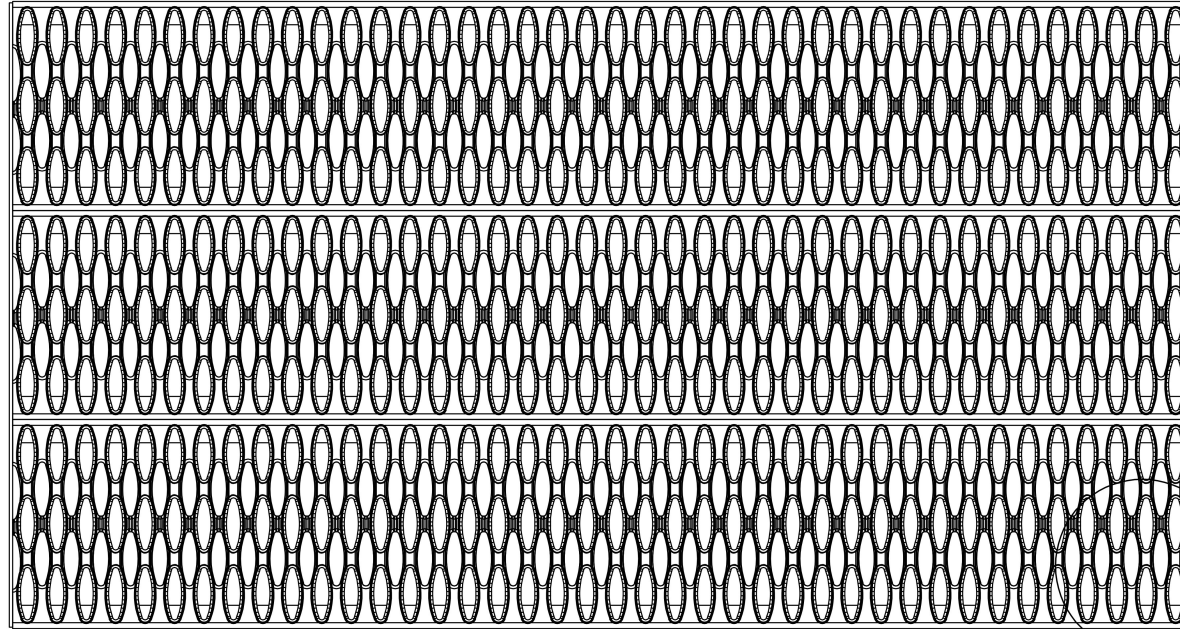
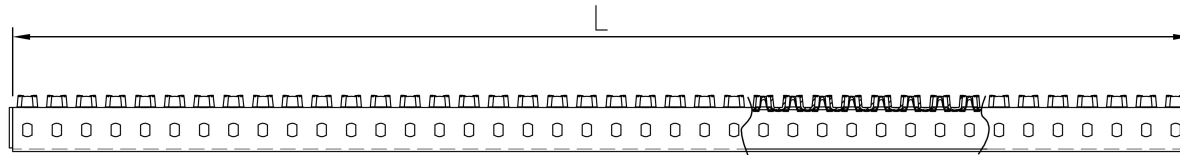
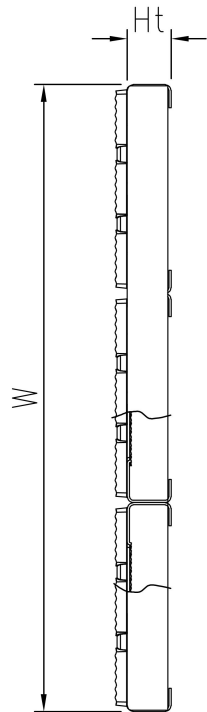
Related products

Plank US

Other materials available

Stainless steel

Aluminium 3005-16 H66



Product name
OPTIMO Plank Grating US