



Tread 03

Steel



Specifications

PTV guidelines	36+ Low Slip Potential
Dry PTV average	73
Wet PTV average	51
Slip resistance	R13 = slope >35° acc. to DIN 51130
Displacement space	V10 acc. to DIN 51130
Free area	28-32 %
Upward grip holes	dia. 14
Downward drainage holes	dia. 8,5 mm
C-C grid	36 x 36 mm
Fire resistance Critical temperature	550 °C

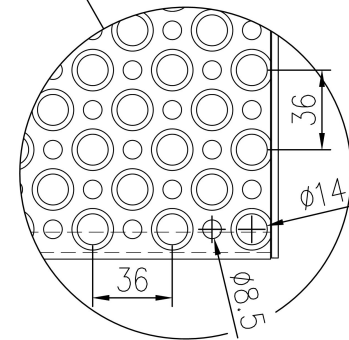
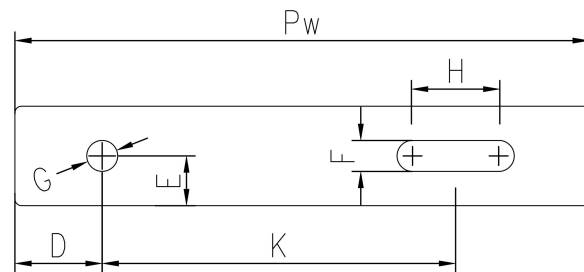
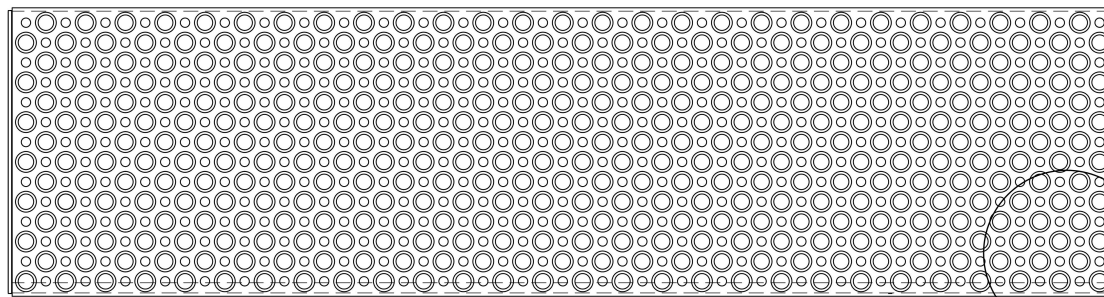
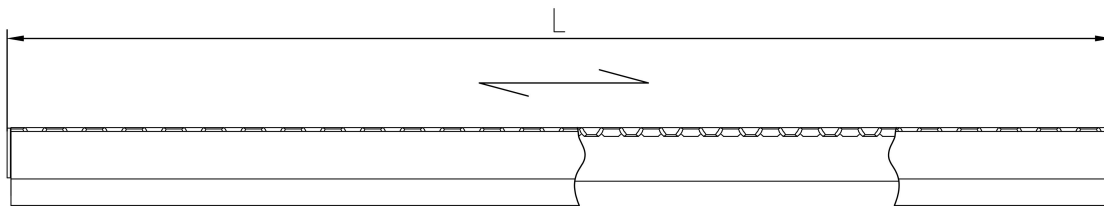
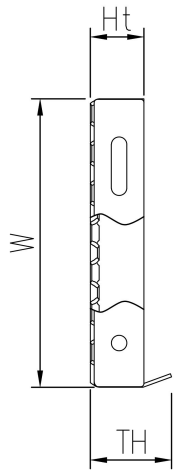
Suitable application areas

Straight staircases

Related products

Plank 03

Plank grating 03



PcP

Product name
OPTIMO Tread O3