



# Tread Oyster

## Steel 240 YP

CUBE® stair treads has a better strength-to-weight ratio than traditional mesh grating treads which means that strength is maintained while weight is reduced. CUBE® treads are manufactured with Oyster-surface between meshes for slip resistance. CUBE® stair treads are recommended in most constructions and industries especially where high air- and liquid flow are required.



### Specifications

PTV guidelines	36+ Low Slip Potential acc. to BS 7976
Dry PTV average	104 multi-directional acc. to BS 7976
Wet PTV average	70 multi-directional acc. to BS 7976
Slip resistance	R13 = slope >35° acc. to DIN 51130
Free area	50-56 %
Upward grip holes	Oyster - serrated dia 6,5 mm
Downward drainage holes	34x34 mm
C-C grid	43,5 x 43,5 mm
Load capacity	1,5 kN / 100 x 100 mm acc. to EN ISO 14122
Fire resistance Critical temperature	550 °C

### Suitable application areas

Straight staircases



## Featured cases

Maintenance platforms and stairs - Air BP Jet Fuel Station - Dals-Långed, Sweden

## Related products

Plank grating Oyster

## Standard dimensions

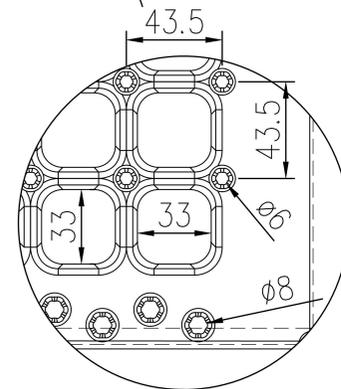
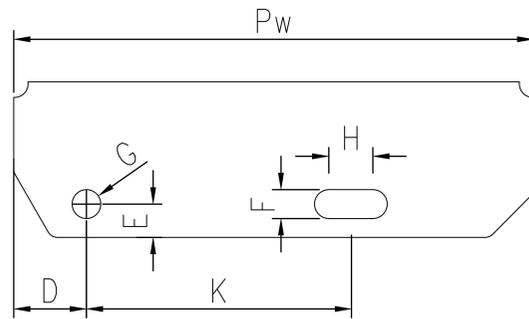
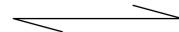
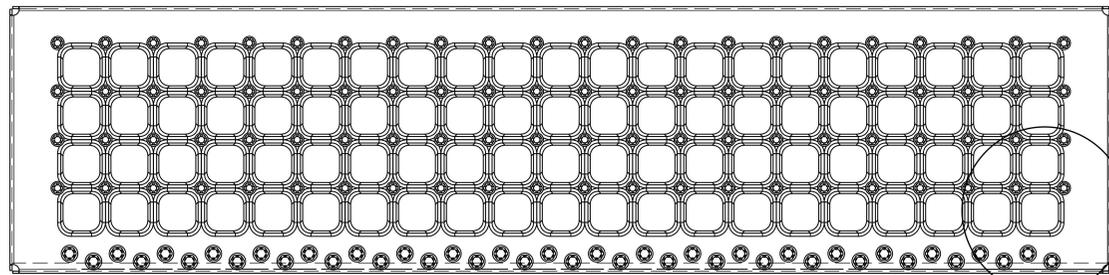
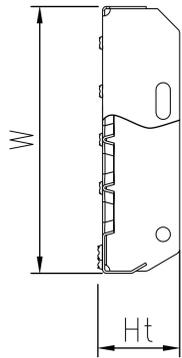
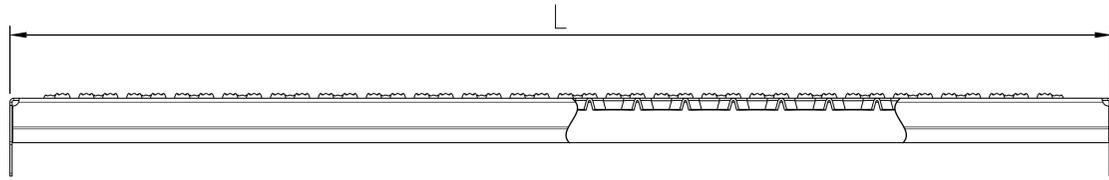
Length (mm)	Width (mm)	Height (mm)	Thickness (mm)	Finish	Weight (kg)	Availability	Item No.
800	240	42	2	Mill Finish		On request	F180000100
800	240	42	2	Hot-dip galvanised EN 1461	4.48	Stock item	F180000101
900	240	42	2	Hot-dip galvanised EN 1461	4.99		F180010101
1000	240	42	2	Mill Finish		On request	F180020100
1000	240	42	2	Hot-dip galvanised EN 1461	5.50	Stock item	F180020101
1100	240	52	2	Hot-dip galvanised EN 1461	6.43		F180030101
1200	240	52	2	Hot-dip galvanised EN 1461	6.98	On request	F180040101
800	270	47	2	Mill Finish		On request	F180100100
800	270	47	2	Hot-dip galvanised EN 1461	4.81	Stock item	F180100101
900	270	47	2	Hot-dip galvanised EN 1461	5.35		F180110101
1000	270	47	2	Mill Finish		On request	F180120100
1000	270	47	2	Hot-dip galvanised EN 1461	5.89	Stock item	F180120101
1100	270	52	2	Hot-dip galvanised EN 1461	6.85		F180130101
1200	270	52	2	Hot-dip galvanised EN 1461	7.42	Stock item	F180140101
800	305	42	2	Hot-dip galvanised EN 1461	5.21		F180200101
900	305	42	2	Hot-dip galvanised EN 1461	5.79		F180210101
1000	305	42	2	Hot-dip galvanised EN 1461	6.37	Stock item	F180220101
1100	305	57	2	Hot-dip galvanised EN 1461	7.49	On request	F180230101
1200	305	57	2	Hot-dip galvanised EN 1461	7.98	Stock item	F180240101

## End piece dimensions

Width (Pw) (mm)	Total height (Ht) (mm)	D (mm)	E (mm)	F (mm)	G (mm)	H (mm)	K (mm)
240	74	35	15	13	13	20	120
270	74	35	15	13	13	20	150
305	74	35	15	13	13	20	180

## Other materials available

Stainless steel Grade 1.4301 (304)



**PcP** Product name  
CUBE Tread Oyster