



Plank O3

Aluminium 3005-16 H66

Optimo O3 Comprising of 14mm dia punched raised holes and 8.5mm dia depressed drainage holes. This punched profile provides excellent slip resistance, unsurpassed high strength to weight ratio and increased drainage owing to the larger holes giving a transparency of 28-32%. Manufactured in various combinations in relation to: - width, height, length and profile. Excellent drainage whilst maintaining high slip resistance and light weight. Bespoke sizes available with calculations & product data sheet / certificates available upon request.



Specifications

PTV guidelines	36+ Low Slip Potential acc. to BS 7976
Dry PTV average	73 multi-directional acc. to BS 7976
Wet PTV average	51 multi-directional acc. to BS 7976
Slip resistance	R13 = slope >35° acc. to DIN 51130
Free area	28-32 %
Upward grip holes	dia. 14 mm
Downward drainage holes	dia. 8,5 mm
C-C grid	36 x 36 mm
Ball proof	15 mm in accordance with BS 4592 20 mm in accordance with BS 4592 35 mm in accordance with BS 4592
Flange design	Bend [L]

Suitable application areas

Access Walkways & Maintenance Platforms

Straight staircases



Related products

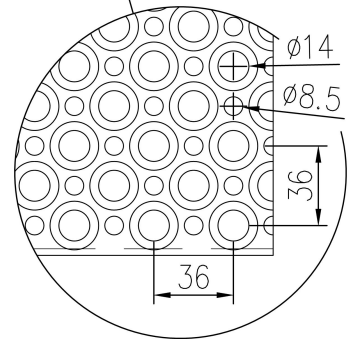
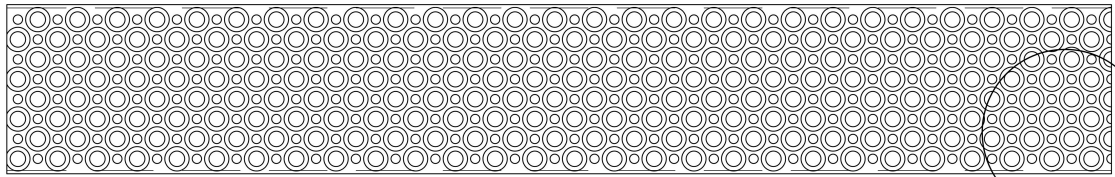
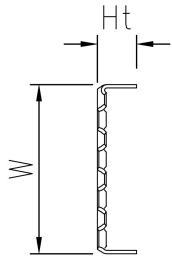
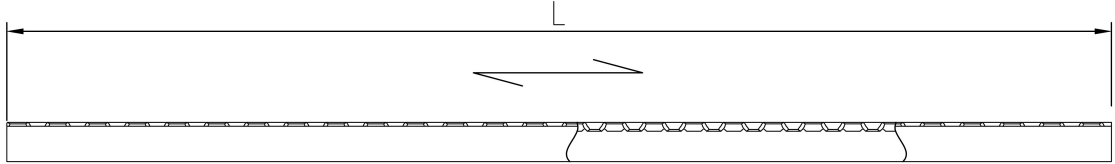
Plank Grating 03

Standard dimensions

Length (mm)	Width (mm)	Height (mm)	Thickness (mm)	Finish	Availability	Item No.
6000	100	43	3	Mill Finish	Stock item	C020146100p
6000	150	43	3	Mill Finish	Stock item	C020156100p
6000	200	43	3	Mill Finish	Stock item	C020166100p

Other materials available

Steel 240 YP



PcP Product name
OPTIMO Plank O3