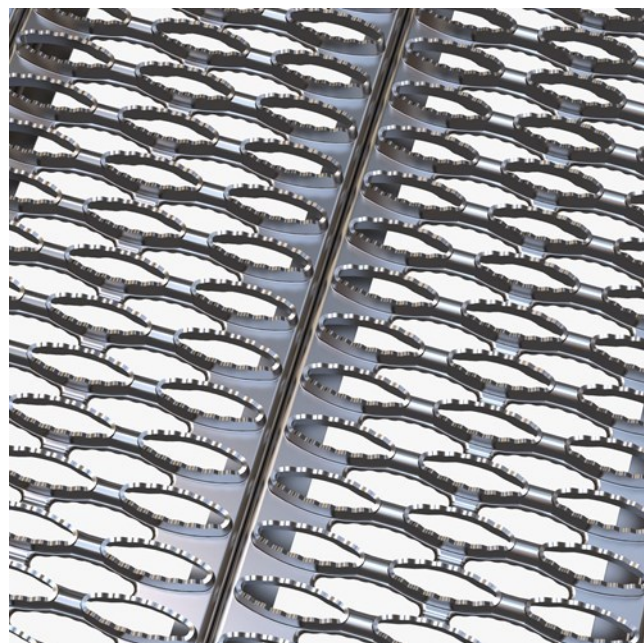


Plank grating US

Stainless steel

Optimo Plank Grating Modules Type USA Stainless Steel Grade 304, Type USA is very common within the oil, marine, HGV and agricultural industries, owing to its high slip resistance and aggressive tread pattern. Comprising of large elliptical shaped serrated holes. Providing an extreme anti-slip surface with maximum drainage offering high loading capabilities and maximum strength to weight ratio. This punched profile has a high transparency of 35-45%. Manufactured in 2 heights with various combinations in relation to: - width and length. Can be used individually or mechanically fixed together for increased loading's.



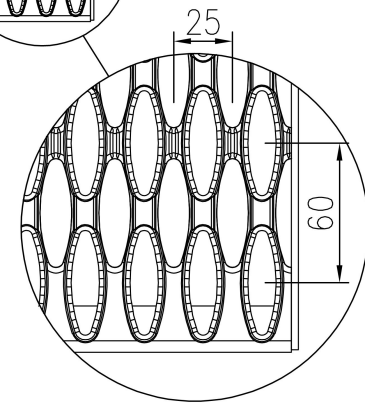
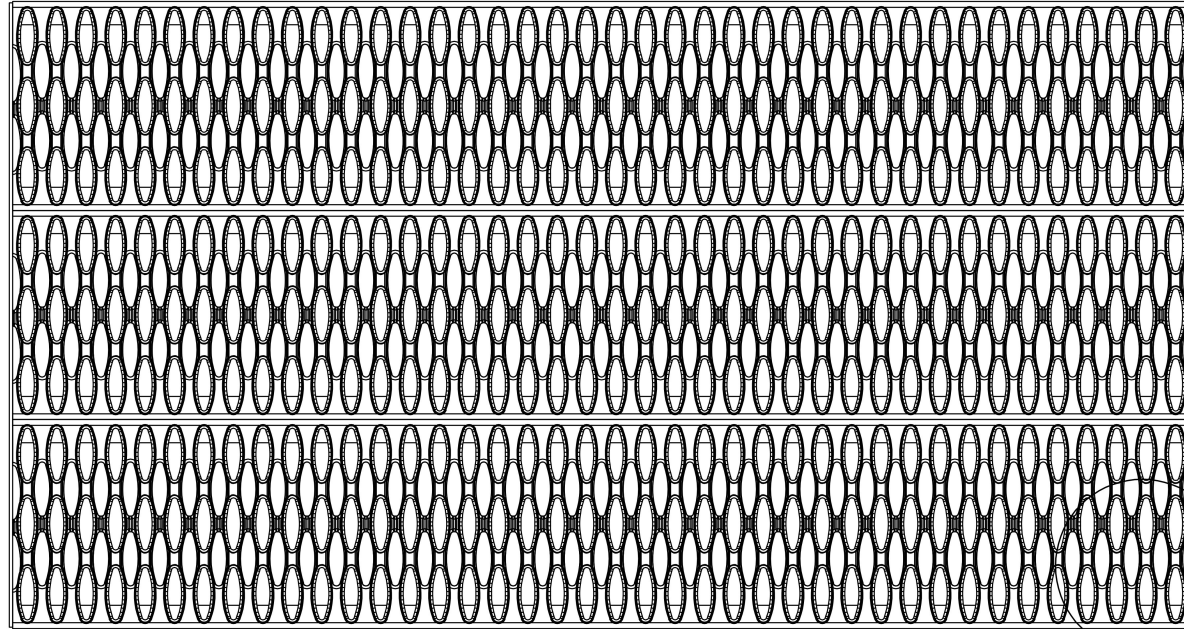
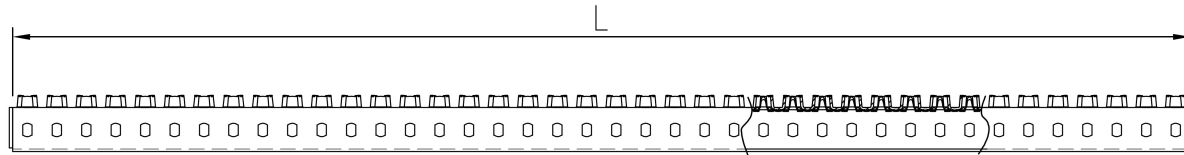
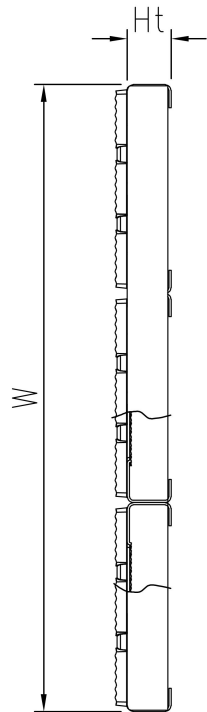
Specifications

| | |
|-------------------------|---|
| Slip resistance | R12 = 35° > slope > 27° acc. to DIN 51130 |
| Displacement space | V10 acc. to DIN 51130 |
| Free area | 42 - 55 % |
| Upward grip holes | Serrated ellipse 48 x 14 |
| Downward drainage holes | ellipse 48 x 14 mm |
| C-C grid | 60 x 26 mm |
| Ball proof | 15 mm in accordance with EN ISO 14122-2 20 mm in accordance with EN ISO 14122-2 35 mm in accordance with EN ISO 14122-2 |

Other materials available

Steel

Aluminium 3005-16 H66



PCP Product name
OPTIMO Plank Grating US