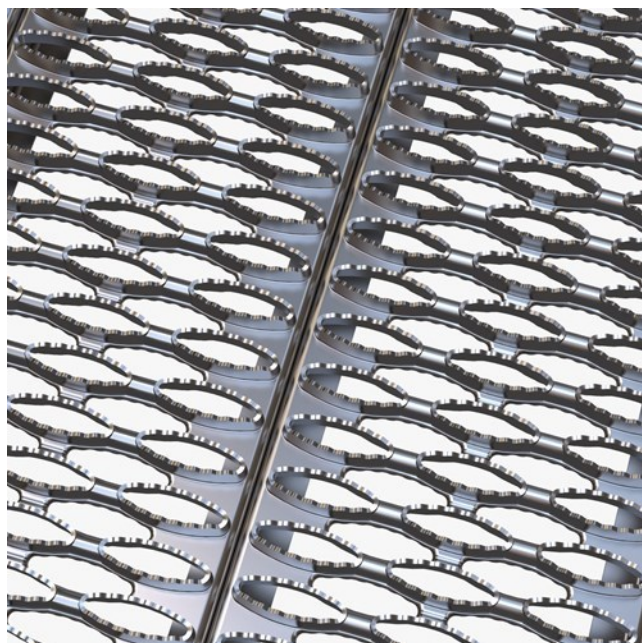




Plank Grating US

Stainless steel

Optimo Plank Grating Modules Type USA Stainless Steel Grade 304, Type USA is very common within the oil, marine, HGV and agricultural industries, owing to its high slip resistance and aggressive tread pattern. Comprising of large elliptical shaped serrated holes. Providing an extreme anti-slip surface with maximum drainage offering high loading capabilities and maximum strength to weight ratio. This punched profile has a high transparency of 35-45%. Manufactured in 2 heights with various combinations in relation to: - width and length. Can be used individually or mechanically fixed together for increased loading's.



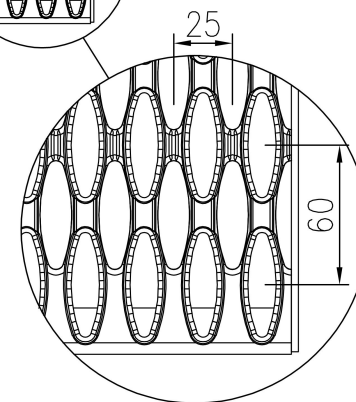
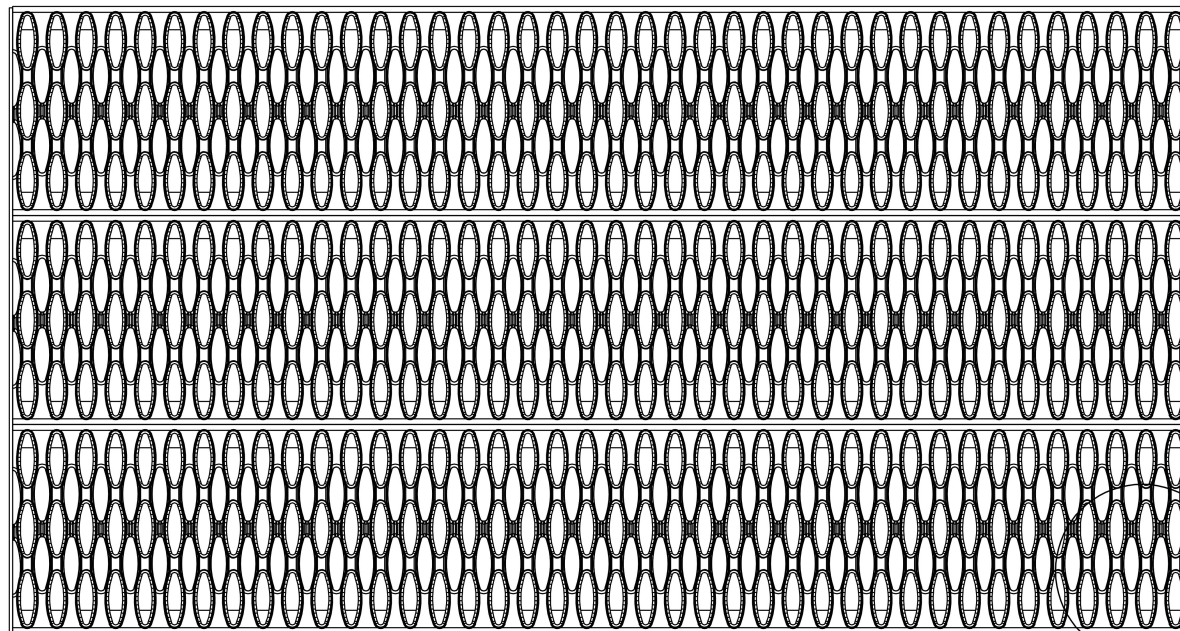
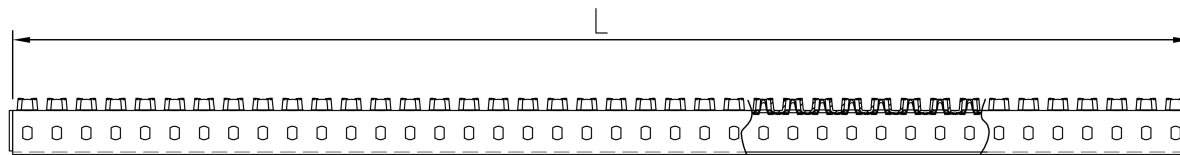
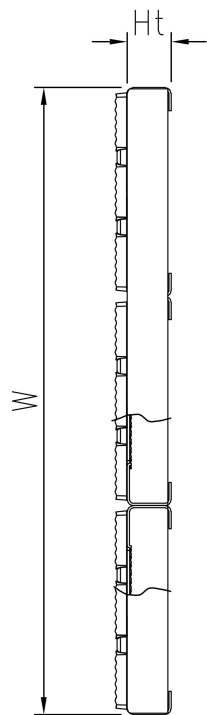
Specifications

Slip resistance	R12 = 35° > slope > 27° acc. to DIN 51130
Free area	42 - 55 %
Upward grip holes	Serrated ellipse 48 x 14 mm
Downward drainage holes	ellipse 48 x 14 mm
C-C grid	60 x 26 mm
Ball proof	15 mm in accordance with BS 4592 20 mm in accordance with BS 4592 35 mm in accordance with BS 4592

Other materials available

Steel

Aluminium 3005-16 H66



PCP Product name
OPTIMO Plank Grating US