



# Plank Oyster

## Steel 240 YP

Designed for simplicity & efficiency. You can easily make cut-outs on-site or let us help you customise your project. We supply various fixing clamps and kick flats for platforms and walkways. Punched hole mesh grating CUBE® has a very high strength compared to the weight ratio due to the unique cold-formed design. CUBE gratings, panels and stair treads comply to the European Industrial standard EN ISO 14122-2 for a concentrated load of min. 1.5 kN on 200x200 mm and to BS 4592 Part 0: 2006 +A1: 2012. The CUBE® (oyster) punched hole mesh gratings are tested according to DIN 51130 and BS 7976-2 2002 for slip resistance. The CUBE gratings and stair treads are quick and easy to install. The CUBE® gratings are 35 mm ball-proof according to EN ISO 14122-2 and comply to BS 4592 Part 0: 2006 +A1: 2012



### Specifications

PTV guidelines	36+ Low Slip Potential
Dry PTV average	104
Wet PTV average	70
Slip resistance	R13 = slope >35° acc. to DIN 51130
Displacement space	V10 acc. to DIN 51130
Free area	50-56 %
Upward grip holes	Oyster - serrated dia 6,5
Downward drainage holes	34x34 mm
C-C grid	43,5 x 43,5 mm
Load capacity	1,5 kN / 200 x 200 mm acc. to EN ISO 14122
Ball proof	35 mm in accordance with EN ISO 14122-2
Fire resistance Critical temperature	550 °C

### Suitable application areas

Access Walkways & Maintenance Platforms

Landings

Entrances



## Featured cases

---

Maintenance walkway - Heathrow Park - London, England

---

Maintenance platforms and stairs - Air BP Jet Fuel Station - Dals-Långed, Sweden

---

## Related products

---

Plank grating Oyster

---

Tread Oyster

---

Tread plank Oyster

---

## Standard dimensions

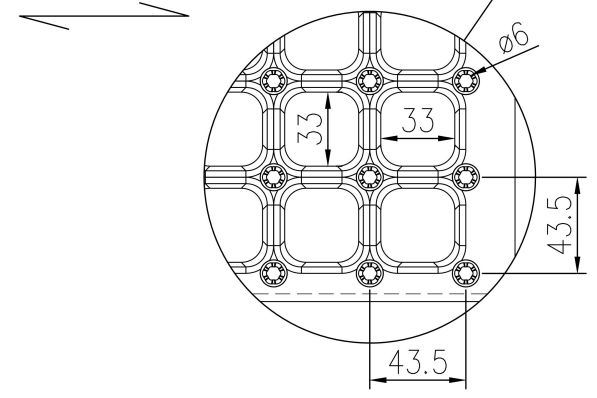
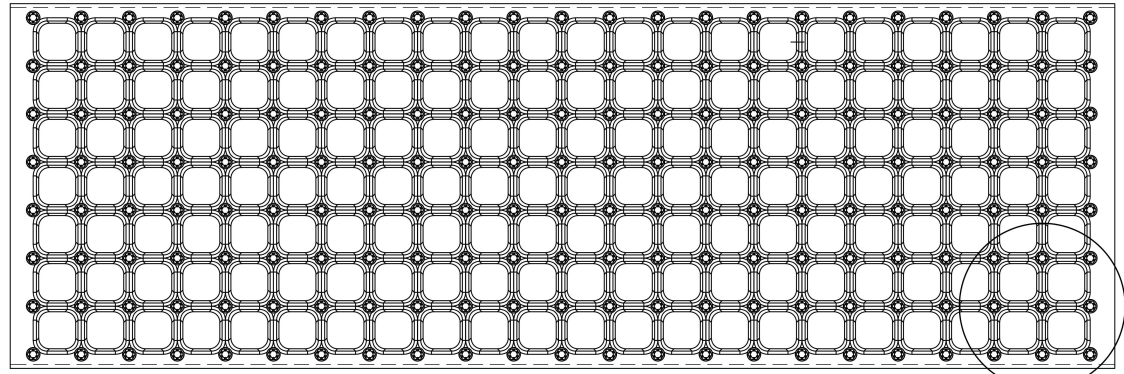
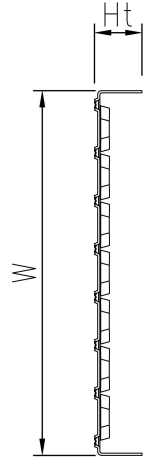
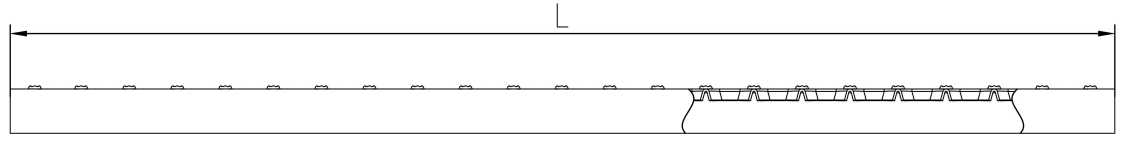
Length (mm)	Width (mm)	Height (mm)	Mat. thickness (mm)	Weight per meter (kg)	Weight per m <sup>2</sup> (kg)	Max. span (mm)	Finish	Availability	Item number
4000	200	42	2	3.5	19.6	1400	Mill finish	On request	C050000100
4000	240	42	2	4	18.5	1400	Mill finish	On request	C050030100
4000	333	42	2	5	17.1	1200	Mill finish	On request	C050090100
4000	500	42	2	7	15.8	800	Mill finish	On request	C050210100

## Other materials available

---

Stainless steel AISI 304

---



**PcP** Product name  
CUBE Plank Oyster