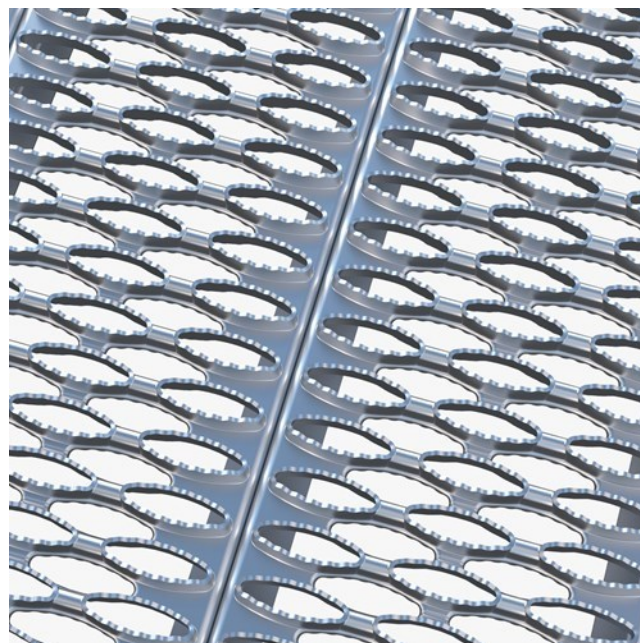


Plank grating US

Aluminium

Type US™ is very common within the oil, marine, HGV and agricultural industries, owing to its high slip resistance. Comprising of large elliptical shaped serrated holes. Providing an extreme anti-slip surface with maximum drainage offering high loading capabilities and maximum strength to weight ratio. This punched profile has a high transparency of 35-45%. Manufactured in 2 heights with various combinations in relation to: - width and length. Can be used individually or mechanically fixed together for increased loadings.



Specifications

Displacement space	V10 acc. to DIN 51130
Slip resistance	R12 = 35° > slope > 27° acc. to DIN 51130
Free area	42 - 55 %
Upward grip holes	Serrated ellipse 48 x 14
Downward drainage holes	ellipse 48 x 14 mm
C-C grid	60 x 26 mm
Ball proof	15 mm in accordance with EN ISO 14122-2 20 mm in accordance with EN ISO 14122-2 35 mm in accordance with EN ISO 14122-2

Suitable application areas

Access Walkways & Maintenance Platforms

Balconies

Featured cases

Aluminium work platforms for industrial tipper trailers

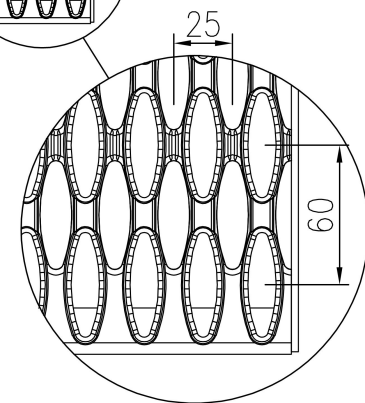
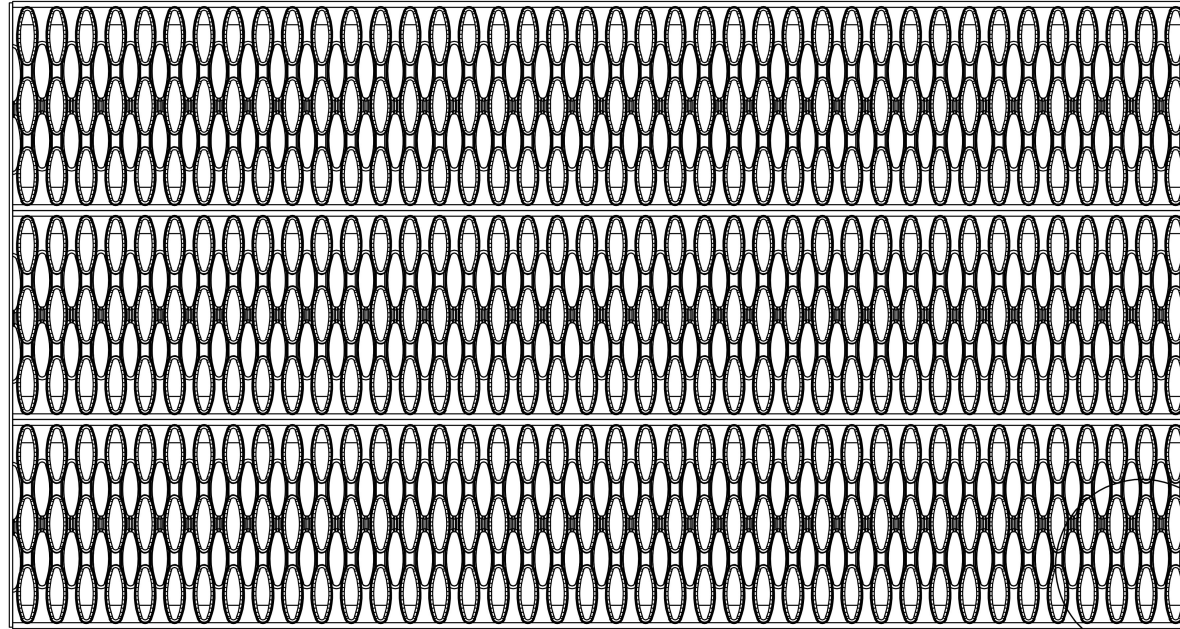
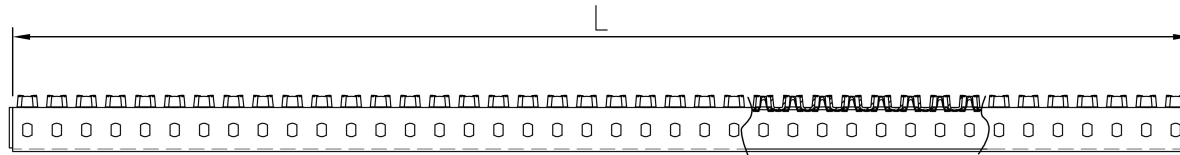
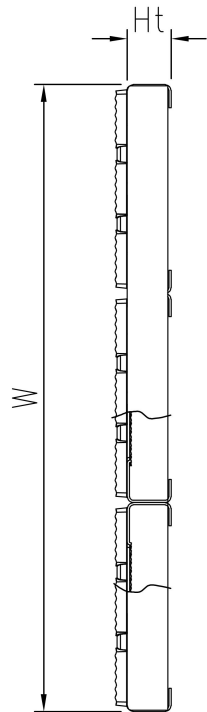
Related products

Plank US

Other materials available

Steel

Stainless steel



Product name
OPTIMO Plank Grating US