

# Plank grating US

## Steel

Safety gratings Type US™ is characterized på long serrated holes that gives panels top flange high load capacity. And rolled side flanges strengthens the gratings further. Type US™ is applied where extreme slip resistance and drainage are required - often in maritime environments, industries with oil and water, construction sites among others.



### Specifications

Displacement space	V10 acc. to DIN 51130
Slip resistance	R12 = 35° > slope > 27° acc. to DIN 51130
Free area	42 - 55 %
Upward grip holes	Serrated ellipse 48 x 14
Downward drainage holes	ellipse 48 x 14 mm
C-C grid	60 x 26 mm
Ball proof	15 mm in accordance with EN ISO 14122-2 20 mm in accordance with EN ISO 14122-2 35 mm in accordance with EN ISO 14122-2
Fire resistance Critical temperature	550 °C

### Suitable application areas

Offshore HGV walkways and steps

Access Walkways & Maintenance Platforms

**Related products**

---

Plank US

---

**Other materials available**

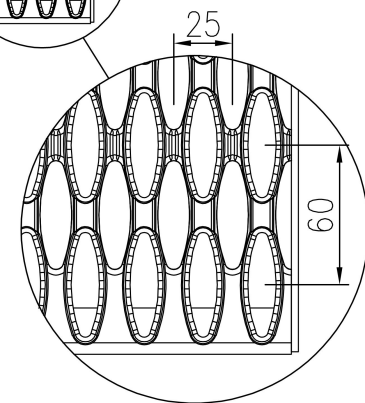
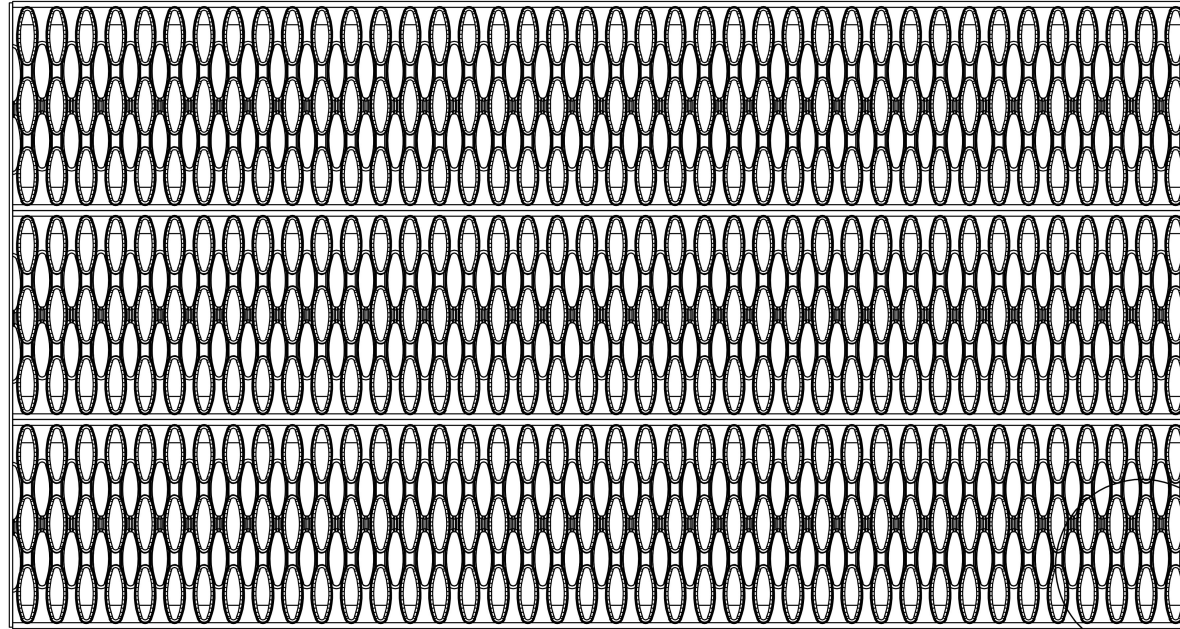
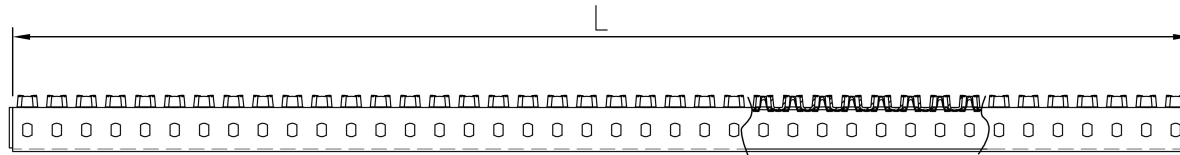
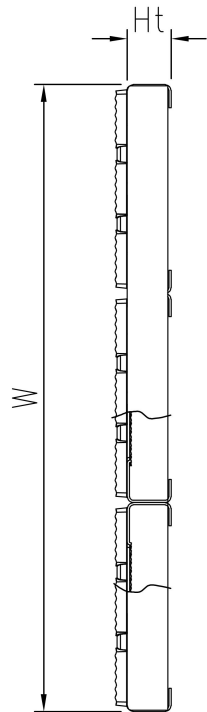
---

Stainless steel

---

Aluminium 3005-16 H66

---



Product name  
OPTIMO Plank Grating US