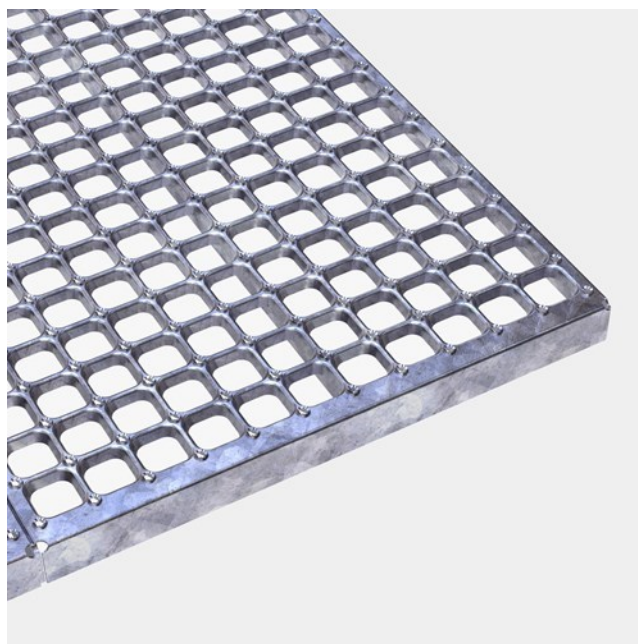




Plank grating Oyster

Steel 240 YP

Punched hole mesh gratings CUBE™ has a high strength-to-weight ratio which means that strength is maintained while weight is reduced. The greater the span, the lower is the weight – in relation to pressure-locked mesh gratings. The CUBE™ grating can be produced in three design variants depending on how much slip resistance is needed. CUBE™ mesh gratings are recommended in most constructions and industries where high air- or liquid flow are required.



Specifications

Displacement space	V10 acc. to DIN 51130
PTV guidelines	36+ Low Slip Potential
Dry PTV average	104
Wet PTV average	70
Slip resistance	R13 = slope >35° acc. to DIN 51130
Free area	50-56 %
Upward grip holes	Oyster - serrated dia 6,5
Downward drainage holes	34x34 mm
C-C grid	43,5 x 43,5 mm
Load capacity	1,5 kN / 200 x 200 mm acc. to EN ISO 14122
Ball proof	35 mm in accordance with EN ISO 14122-2
Fire resistance Critical temperature	550 °C

Suitable application areas

Access Walkways & Maintenance Platforms

Landings

Entrances

Featured cases

Maintenance walkway - Heathrow Park - London, England

Maintenance platforms and stairs - Air BP Jet Fuel Station - Dals-Långed, Sweden

Accessories

Fixing clip, upper part Ma44/CUBE

Fixing clip, lower part

Related products

Plank Oyster

Fixing clip, upper part Ma44/CUBE

Fixing clip, lower part

Plank grating Plain

Plank grating Dimple

Plank grating Round

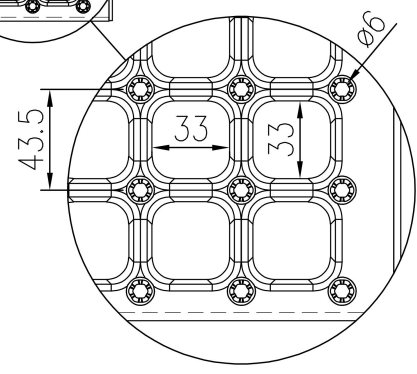
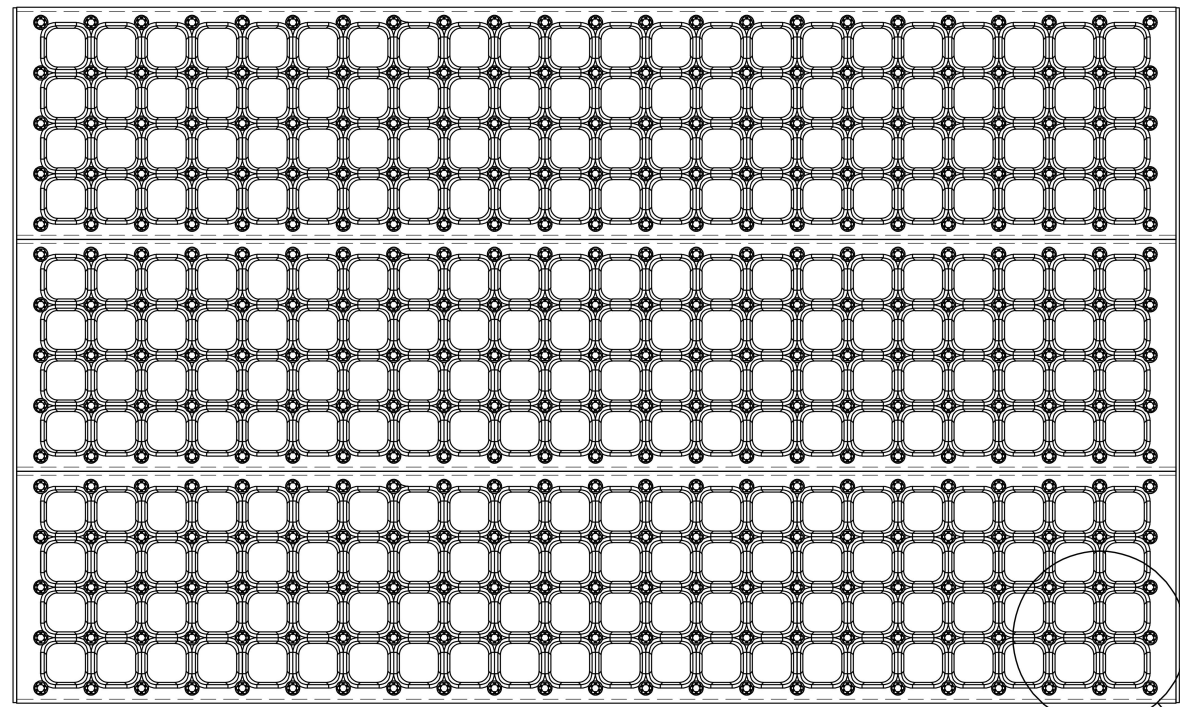
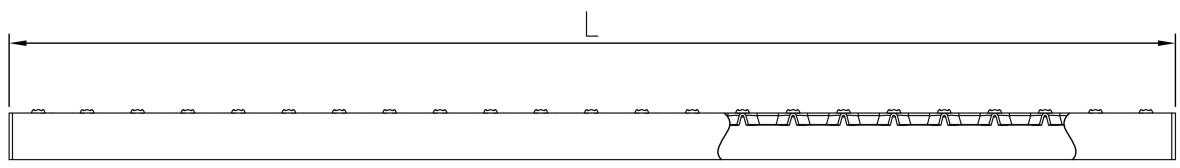
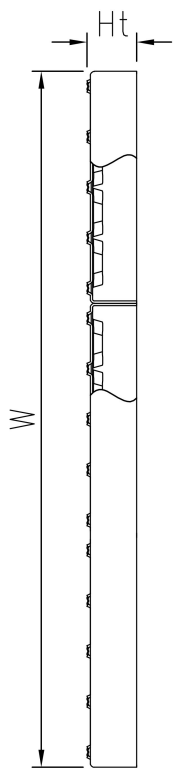
Tread Oyster

Standard dimensions

Length (mm)	Width (mm)	Height (mm)	Mat. thickness (mm)	Finish	Availability	Item number
600	1000	42	2	Mill finish	On request	F004000100
600	1000	42	2	Hot-dip galvanised	On request	F004000101
800	1000	42	2	Mill finish	On request	F004010100
800	1000	42	2	Hot-dip galvanised	On request	F004010101
1000	1000	42	2	Mill finish	On request	F004020100
1000	1000	42	2	Hot-dip galvanised	On request	F004020101

Other materials available

Stainless steel



PCP Product name
CUBE Plank Grating Oyster