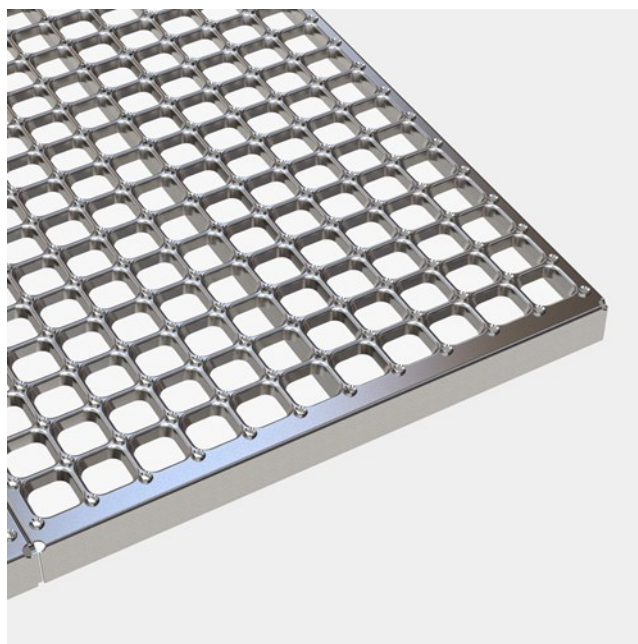




Plank grating Oyster

Stainless steel

Punched hole mesh gratings CUBE™ Oyster™ has a high strength-to-weight ratio which means that strength is maintained while weight is reduced. The greater the span, the lower is the weight – in relation to pressure-locked mesh gratings. CUBE™ Oyster mesh gratings are recommended in industries where hygiene and high air- or liquid flow are required.



Specifications

Displacement space	V10 acc. to DIN 51130
PTV guidelines	36+ Low Slip Potential
Dry PTV average	104
Wet PTV average	70
Slip resistance	R13 = slope >35° acc. to DIN 51130
Free area	50-56 %
Upward grip holes	Oyster - serrated dia 6,5
Downward drainage holes	34x34 mm
C-C grid	43,5 x 43,5 mm
Ball proof	35 mm in accordance with EN ISO 14122-2

Suitable application areas

Access Walkways & Maintenance Platforms

Landings

Accessories

Fixing clip, lower part

Fixing clip, upper part

Related products

Plank grating Plain

Plank grating Dimple

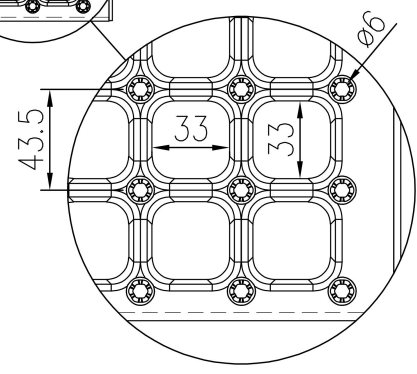
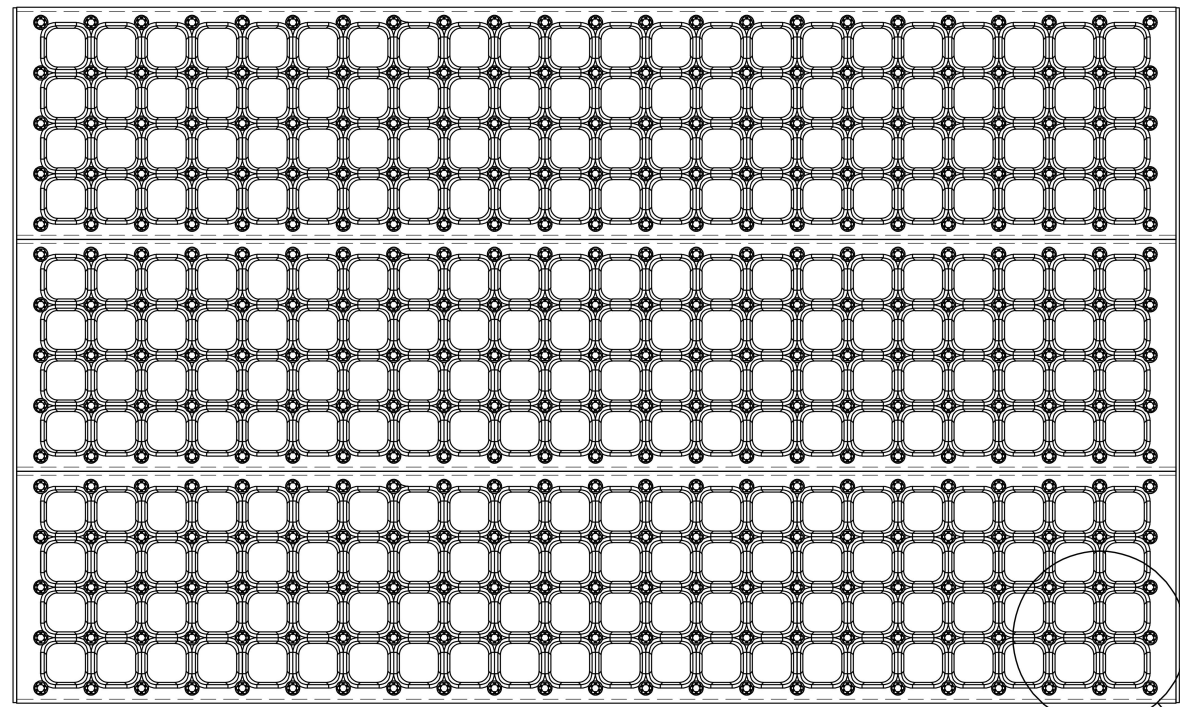
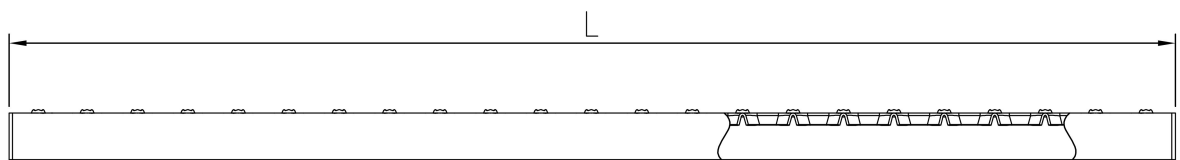
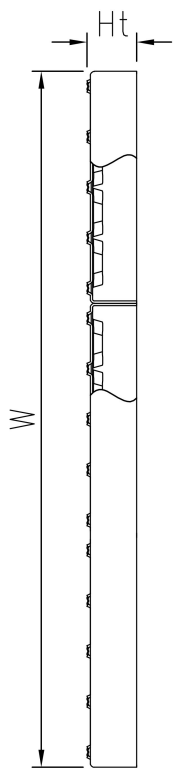
Plank grating Round

Fixing clip, lower part

Fixing clip, upper part

Other materials available

Steel 240 YP



PCP Product name
CUBE Plank Grating Oyster