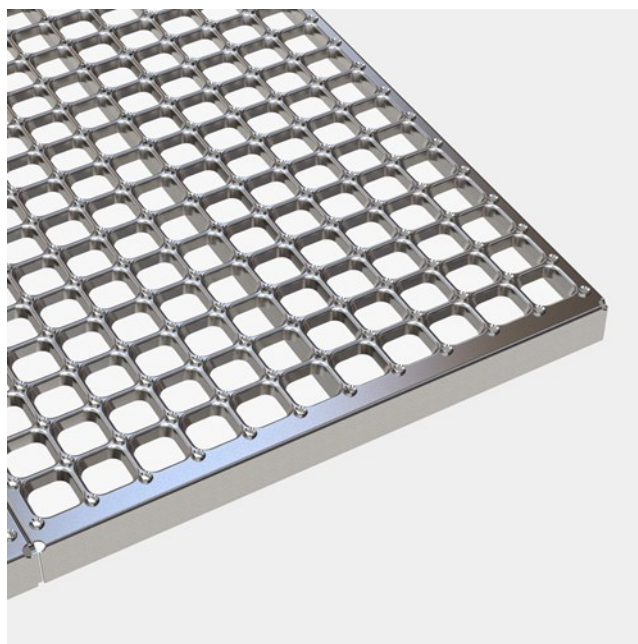




Plank grating Oyster

Stainless steel

Punched hole mesh gratings CUBE™ Oyster™ has a high strength-to-weight ratio which means that strength is maintained while weight is reduced. The greater the span, the lower is the weight – in relation to pressure-locked mesh gratings. CUBE™ Oyster™ mesh gratings are recommended in industries where hygiene and high air- or liquid flow are required.



Specifications

PTV guidelines	36+ Low Slip Potential acc. to BS 7976
Dry PTV average	104 multi-directional acc. to BS 7976
Wet PTV average	70 multi-directional acc. to BS 7976
Slip resistance	R13 = slope >35° acc. to DIN 51130
Free area	50-56 %
Upward grip holes	Oyster - serrated dia 6,5 mm
Downward drainage holes	34x34 mm
C-C grid	43,5 x 43,5 mm
Ball proof	35 mm in accordance with BS 4592

Suitable application areas

Access Walkways & Maintenance Platforms

Landings



Related products

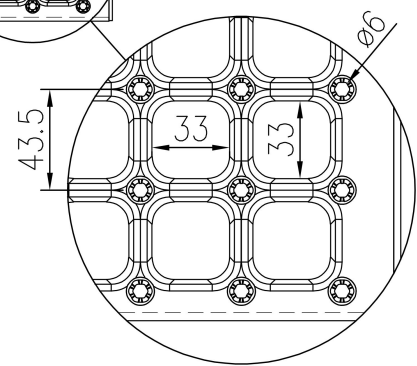
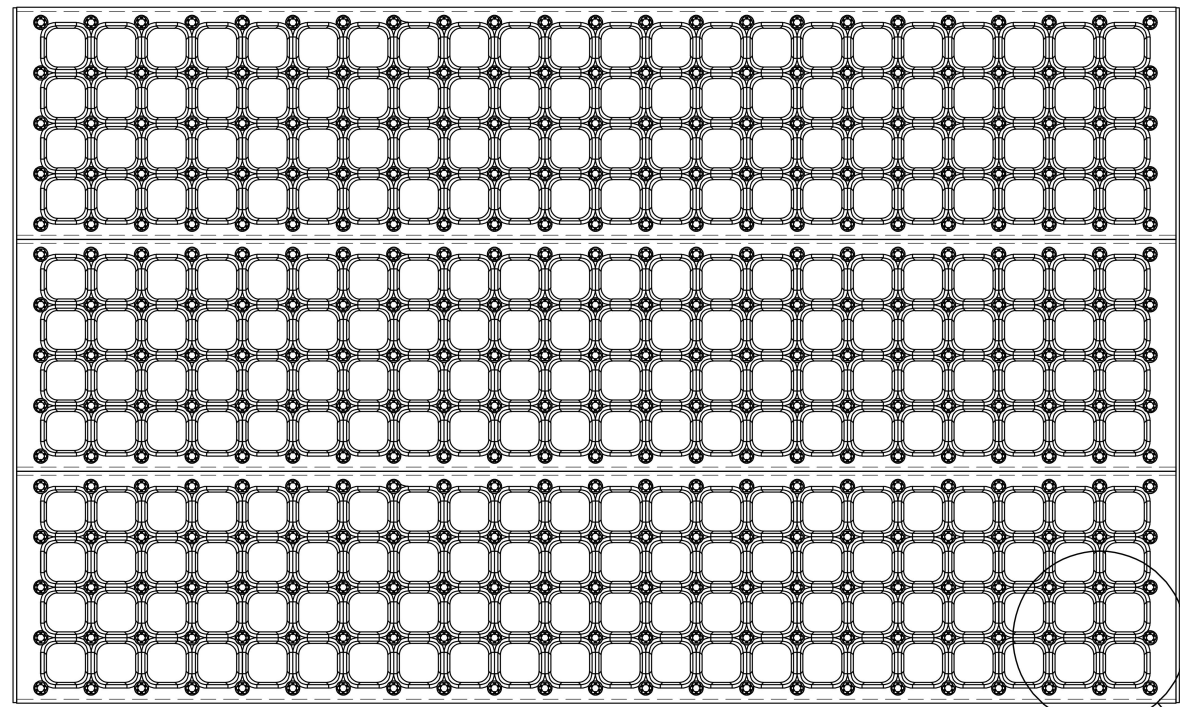
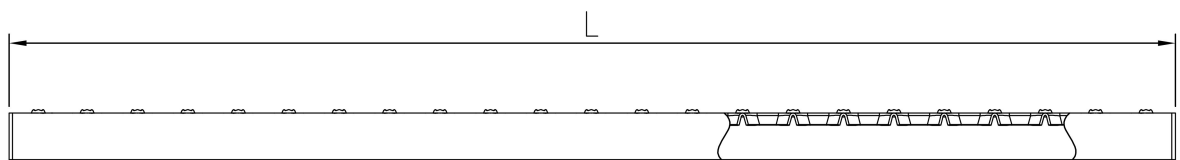
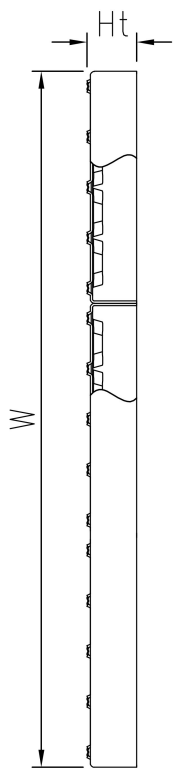
Plank grating Plain

Plank grating Dimple

Plank grating Round

Other materials available

Steel 240 YP



PCP Product name
CUBE Plank Grating Oyster