



Tread Oyster

Steel 240 YP

CUBE® stair treads has a better strength-to-weight ratio than traditional mesh grating treads which means that strength is maintained while weight is reduced. CUBE® treads are manufactured with Oyster-surface between meshes for slip resistance. CUBE® stair treads are recommended in most constructions and industries especially where high air- and liquid flow are required.



Specifications

PTV guidelines	36+ Low Slip Potential acc. to BS 7976
Dry PTV average	104 multi-directional acc. to BS 7976
Wet PTV average	70 multi-directional acc. to BS 7976
Slip resistance	R13 = slope >35° acc. to DIN 51130
Free area	50-56 %
Upward grip holes	Oyster - serrated dia 6,5 mm
Downward drainage holes	34x34 mm
C-C grid	43,5 x 43,5 mm
Load capacity	1,5 kN / 100 x 100 mm acc. to EN ISO 14122
Fire resistance Critical temperature	550 °C

Suitable application areas

Straight staircases

Featured cases

Maintenance platforms and stairs - Air BP Jet Fuel Station - Dals-Långed, Sweden

Related products

Plank grating Oyster

Standard dimensions

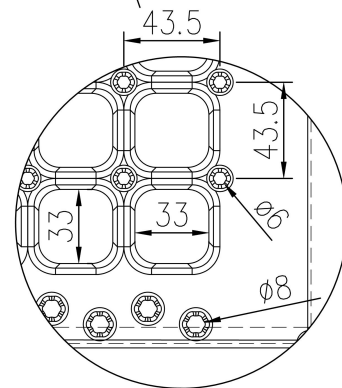
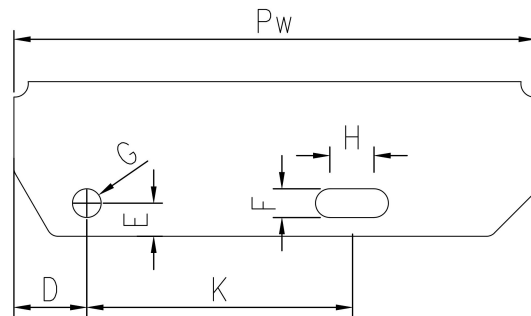
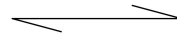
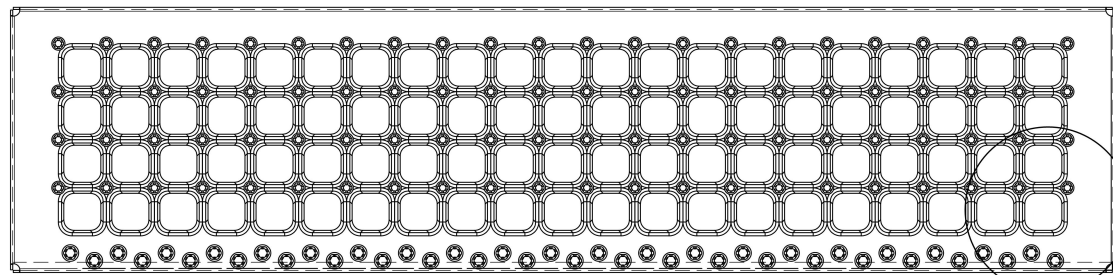
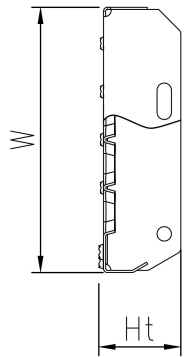
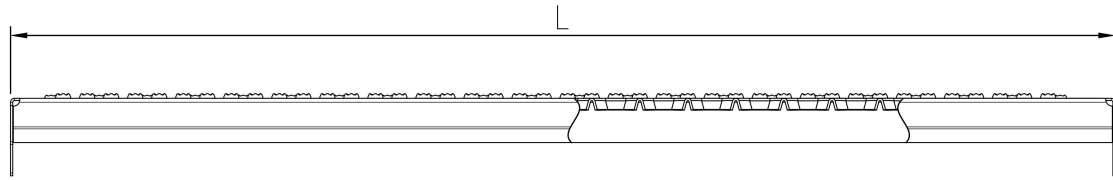
Length (mm)	Width (mm)	Height (mm)	Thickness (mm)	Finish	Weight (kg)	Availability	Item No.
800	240	42	2	Mill Finish		On request	F180000100
800	240	42	2	Hot-dip galvanised EN 1461	4.48	Stock item	F180000101
900	240	42	2	Hot-dip galvanised EN 1461	4.99		F180010101
1000	240	42	2	Mill Finish		On request	F180020100
1000	240	42	2	Hot-dip galvanised EN 1461	5.50	Stock item	F180020101
1100	240	52	2	Hot-dip galvanised EN 1461	6.43		F180030101
1200	240	52	2	Hot-dip galvanised EN 1461	6.98	On request	F180040101
800	270	48	2	Mill Finish		On request	F180100100
800	270	48	2	Hot-dip galvanised EN 1461	4.81	Stock item	F180100101
900	270	48	2	Hot-dip galvanised EN 1461	5.35		F180110101
1000	270	48	2	Mill Finish		On request	F180120100
1000	270	48	2	Hot-dip galvanised EN 1461	5.89	Stock item	F180120101
1100	270	52	2	Hot-dip galvanised EN 1461	6.85		F180130101
1200	270	52	2	Hot-dip galvanised EN 1461	7.42	Stock item	F180140101
800	305	42	2	Hot-dip galvanised EN 1461	5.21		F180200101
900	305	42	2	Hot-dip galvanised EN 1461	5.79		F180210101
1000	305	42	2	Hot-dip galvanised EN 1461	6.37	Stock item	F180220101
1100	305	57	2	Hot-dip galvanised EN 1461	7.49	On request	F180230101
1200	305	57	2	Hot-dip galvanised EN 1461	7.98	Stock item	F180240101

End piece dimensions

Width (Pw) (mm)	Total height (Ht) (mm)	D (mm)	E (mm)	F (mm)	G (mm)	H (mm)	K (mm)
240	74	35	15	13	13	20	120
270	74	35	15	13	13	20	150
305	74	35	15	13	13	20	180

Other materials available

Stainless steel Grade 1.4301 (304)



PcP Product name
CUBE Tread Oyster