



Plank Oyster

Stainless steel AISI 304

Easy installation, cleaning & maintenance. The CUBE® Oyster manufactured in stainless steel is suitable for applications in the food and beverage industry where the unique shape of the CUBE® allows for easier cleaning and maintenance, supporting and promoting hygiene.



Specifications

PTV guidelines	36+ Low Slip Potential
Dry PTV average	104
Wet PTV average	70
Slip resistance	R13 = slope >35° acc. to DIN 51130
Displacement space	V10 acc. to DIN 51130
Free area	50-56 %
Upward grip holes	Oyster - serrated dia 6,5
Downward drainage holes	34x34 mm
C-C grid	43,5 x 43,5 mm
Ball proof	35 mm in accordance with EN ISO 14122-2

Suitable application areas

Landings

Straight staircases

Related products

Plank grating Oyster

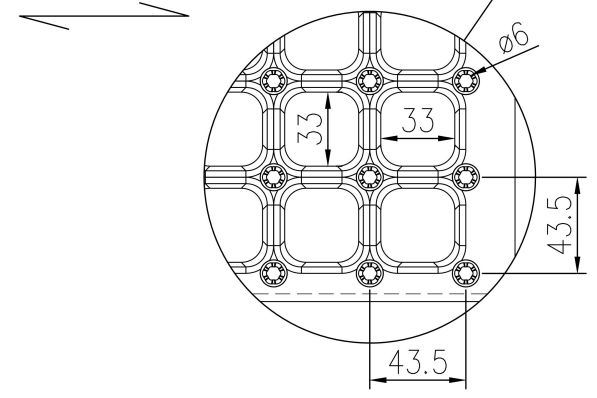
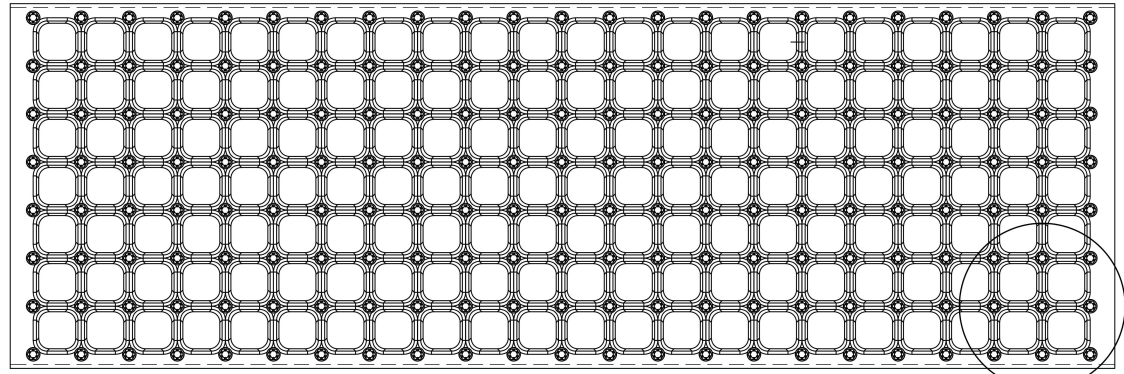
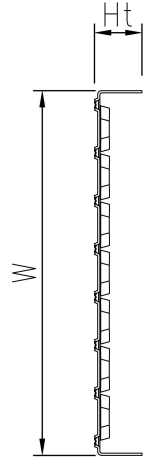
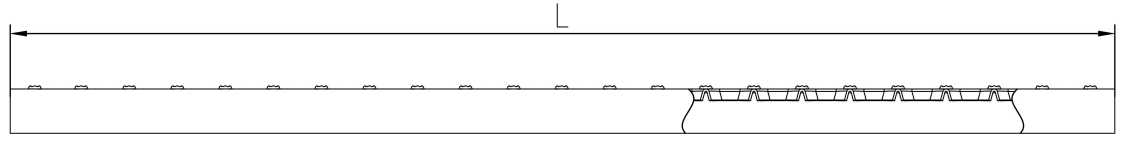
Tread Oyster

Standard dimensions

Length (mm)	Width (mm)	Height (mm)	Mat. thickness (mm)	Weight per meter (kg)	Weight per m ² (kg)	Max. span (mm)	Finish	Availability	Item number
4000	200	42	2	3.5	19.3	1400	Mill finish	On request	C053004100
4000	333	42	2	5	17.1	1200	Mill finish	On request	C053124100

Other materials available

Steel 240 YP



PcP Product name
CUBE Plank Oyster