



# Tread Oyster

## Stainless Steel AISI 304

CUBE® stair treads has a better strength-to-weight ratio than traditional mesh grating treads which means that strength is maintained while weight is reduced. CUBE® treads are manufactured with Oyster-surface between meshes for slip resistance. CUBE® stair treads are recommended in the Food & Beverage industry where hygiene and high air- and liquid flow are required.



### Specifications

PTV guidelines	36+ Low Slip Potential
Dry PTV average	104
Wet PTV average	70
Slip resistance	R13 = slope >35° acc. to DIN 51130
Displacement space	V10 acc. to DIN 51130
Free area	50-56 %
Upward grip holes	Oyster - serrated dia 6,5
Downward drainage holes	34x34 mm
C-C grid	43,5 x 43,5 mm
Load capacity	1,5 kN / 100 x 100 mm acc. to EN ISO 14122

### Suitable application areas

Straight staircases

**Related products**

---

Plank grating Oyster

---

Plank Oyster

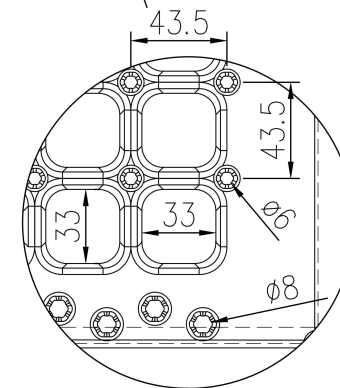
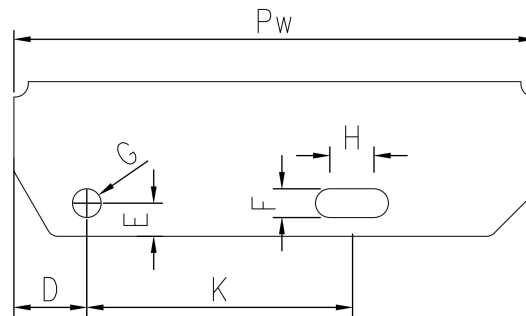
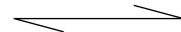
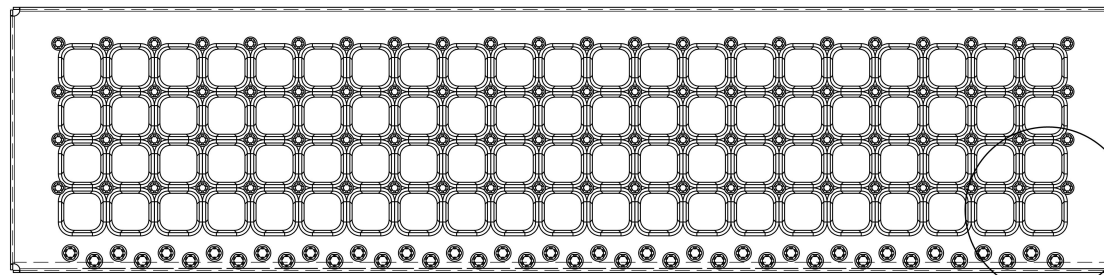
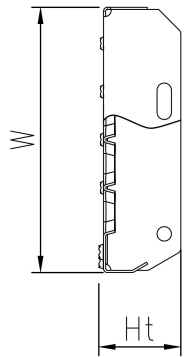
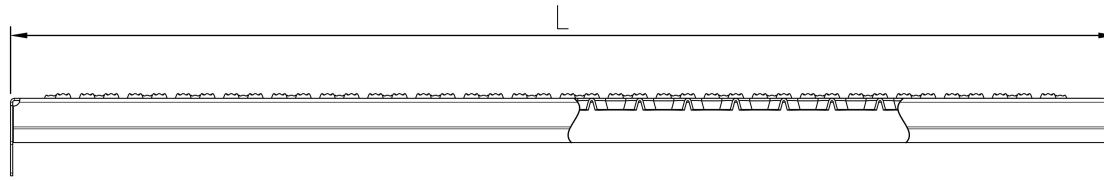
---

**Other materials available**

---

Steel 240 YP

---



**PcP** Product name  
CUBE Tread Oyster