



Tread Oyster

Stainless Steel AISI 304

CUBE® stair treads has a better strength-to-weight ratio than traditional mesh grating treads which means that strength is maintained while weight is reduced. CUBE® treads are manufactured with Oyster-surface between meshes for slip resistance. CUBE® stair treads are recommended in the Food & Beverage industry where hygiene and high air- and liquid flow are required.



Specifications

PTV guidelines	36+ Low Slip Potential acc. to BS 7976
Dry PTV average	104 multi-directional acc. to BS 7976
Wet PTV average	70 multi-directional acc. to BS 7976
Slip resistance	R13 = slope >35° acc. to DIN 51130
Free area	50-56 %
Upward grip holes	Oyster - serrated dia 6,5 mm
Downward drainage holes	34x34 mm
C-C grid	43,5 x 43,5 mm
Load capacity	1,5 kN / 100 x 100 mm acc. to EN ISO 14122

Suitable application areas

Straight staircases



Related products

Plank grating Oyster

Plank Oyster

Standard dimensions

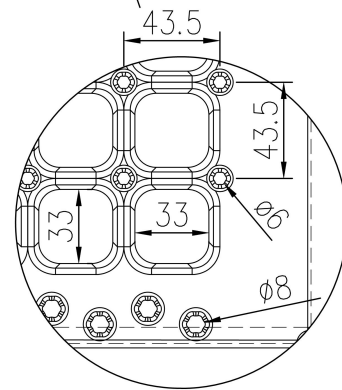
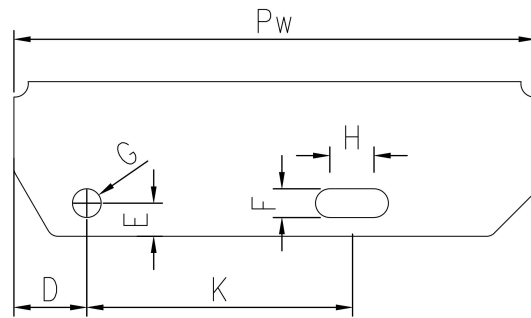
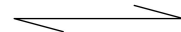
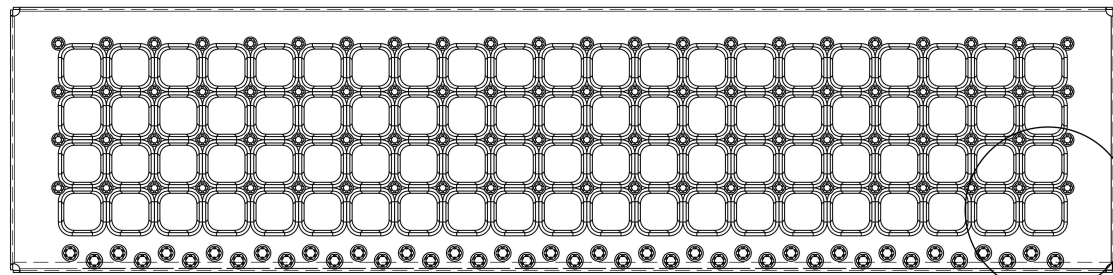
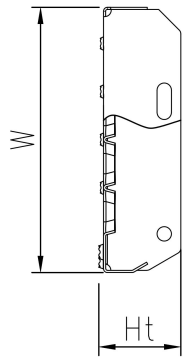
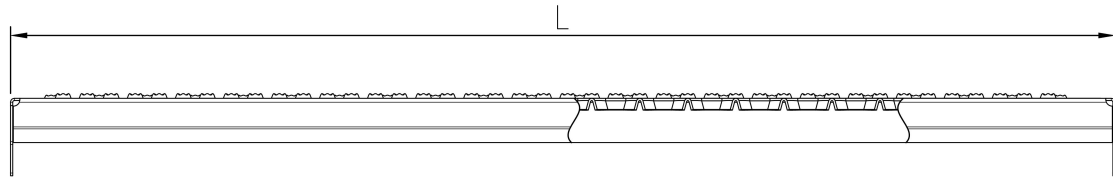
Length (mm)	Width (mm)	Height (mm)	Thickness (mm)	Finish	Availability	Item No.
800	270	47	2	Electro-polished	Stock item	F184114180
1000	240	42	2	Mill Finish	Stock item	F184124100
1000	240	42	2	Pickled	Stock item	F184124140
1000	240	42	2	Electro-polished	Stock item	F184124180
800	240	42	2	Pickled	Stock item	F184104140
800	270	47	2	Pickled	Stock item	F184114140
800	240	42	2	Mill Finish	Stock item	F184104100
800	240	42	2	Electro-polished	Stock item	F184104180
800	270	47	2	Mill Finish	Stock item	F184114100
1000	270	47	2	Mill Finish	Stock item	F184134100
1000	270	47	2	Pickled	Stock item	F184134140
1000	270	47	2	Electro-polished	Stock item	F184134180
800	305	42	2	Pickled	Stock item	F184164140
800	305	42	2	Electro-polished	Stock item	F184164180
900	240	42	2	Mill Finish	Stock item	F184194100
900	240	42	2	Pickled	Stock item	F184194140
900	240	42	2	Electro-polished	Stock item	F184194180
900	270	47	2	Mill Finish	Stock item	F184224100
900	270	47	2	Pickled	Stock item	F184224140
900	270	47	2	Electro-polished	Stock item	F184224180
900	305	42	2	Mill Finish	Stock item	F184254100
900	305	42	2	Pickled	Stock item	F184254140
900	305	42	2	Electro-polished	Stock item	F184254180
1000	305	42	2	Mill Finish	Stock item	F184284100
1000	305	42	2	Pickled	Stock item	F184284140
1000	305	42	2	Electro-polished	Stock item	F184284180
800	305	42	2	Mill Finish	Stock item	F184164100

End piece dimensions

Width (Pw) (mm)	Total height (Ht) (mm)	D (mm)	E (mm)	F (mm)	G (mm)	H (mm)	K (mm)
240	74	35	15	13	13	20	120
270	74	35	15	13	13	20	150
305	74	35	15	13	13	20	180

Other materials available

Steel 240 YP



PcP Product name
CUBE Tread Oyster